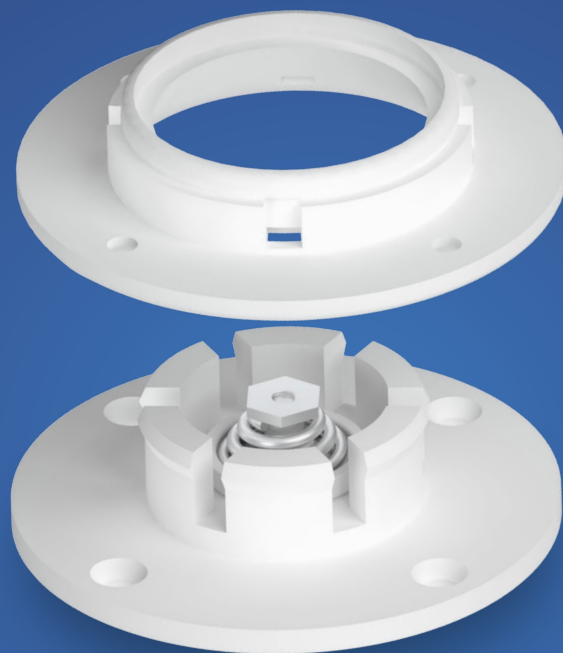


# FITLOCK

*FIT YOUR NEEDS, GET OUR SYSTEM*



The original patented fixing system that since 2005 provides innovative solutions to simplify the realization of your projects.

**Fitlock®** is a **Daureka®** reality,  
where R&D is not a department,  
it's an attitude.

Born as a spin-off of Yachtline1618, **Daureka®** creates made-in-Tuscany solutions that stand out on the market owing to their functionality, ease of use, and versatility in the application field.

**Daureka®** meets the market's demands even before they are formulated, thanks to the active analysis of projects and their development. And this is how Fitlock® systems are created.

Intended for the nautical field, **Fitlock®** systems are currently used in the construction, automotive, civil and commercial furnishing sectors due to their innovative, versatile, multi-purpose DNA. **Fitlock®** is a patented pressure fixing system which offers unique benefits for the mounting of panelling, among which the adjustment on three axes.

**Daureka®**'s innovative philosophy has allowed the development of new revolutionary systems: Fitfloor® for floating flooring and Fitgrid®, a system of anti-vibrating, insulating wall panelling.

**Innovations spring from intuition and constant effort to actualise visions that can revolutionise the market.**

Fitlock.it

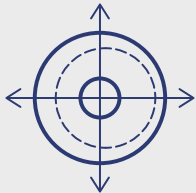
## Index

|  |           |
|--|-----------|
| <b>Fitlock .....</b>                                 | <b>4</b>  |
| Fitlock Evo .....                                    | 6         |
| <b>Mini Fitlock .....</b>                            | <b>8</b>  |
| Mini Fitlock Evo.....                                | 10        |
| <b>Mini Fitlock Evo alloy .....</b>                  | <b>12</b> |
| Fitlock stainless steel/galvanized.....              | 14        |
| <b>Fitlock stainless steel/galvanized free .....</b> | <b>16</b> |
| Mini Fitlock colpo .....                             | 18        |
| <b>Mini Fitlock colpo colpo .....</b>                | <b>20</b> |
| Mini Fitlock base.....                               | 22        |
| <b>AZ Mini Fitlock .....</b>                         | <b>24</b> |
| Mini Fitlock Build .....                             | 26        |
| <b>Fitkite .....</b>                                 | <b>28</b> |
| Fitkite Free.....                                    | 30        |
| <b>Coupling fitting pair .....</b>                   | <b>32</b> |
| Square plate .....                                   | 34        |
| <b>Coupling fitting pair alloy .....</b>             | <b>36</b> |
| Square plate alloy.....                              | 38        |
| <b>Fitblock .....</b>                                | <b>40</b> |
| Fitblock alloy .....                                 | 42        |
| <b>Fitlock KU.....</b>                               | <b>44</b> |
| Fitjump EVO .....                                    | 46        |
| <b>Fitspin .....</b>                                 | <b>48</b> |
| Fitlevel .....                                       | 50        |
| <b>Fitclock .....</b>                                | <b>52</b> |
| Adjustable Fitclock .....                            | 54        |

ITEM FL

# FITLOCK

IN ACETAL RESIN / NYLON



exclusive displacement of  
**4 mm**  
in all directions

**PATENTED SYSTEM**

## Benefits

- Easy installation
- Precise and quick assembly

## Markets



**Fitlock®** is a pressure fixing system which offers unique benefits for mounting of panelling.

Designed for cladding ceiling panels and walls of any kind, Fitlock® fastening offers high performance in terms of stability and reliability.

Easy to install, remove, and place, Fitlock® simplifies the hardest procedures of inspection, maintenance, and recovery.

With the aid of the **TFLF** cap it is possible to install the **FL\_F** female directly on the support by means of resin coating or co-molded.

Fitlock® is the innovation that revolutionizes the pressure fixing assembly.

## INSTALLATION

### MANUAL POSITIONING

In the installation stage, the fixing points can be marked on the panels using a marker (code M) for an error-free pre-arrangement. For a perfect milling, use the PFFL assembly drill bit.

### SPACER

It allows to adjust the gap between the panel and the bracket.

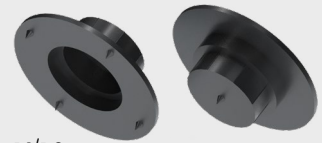
### CAD-CAM POSITIONING

Thanks to the DWG files supplied, the fixing points can be positioned on the panels in the design/production stage.

## ACCESSORIES

M

### Marker



D1/D2

### Spacers



P

### Protection Cap



PFFL

### Drill bit assembly



TFLF

### Female Cap



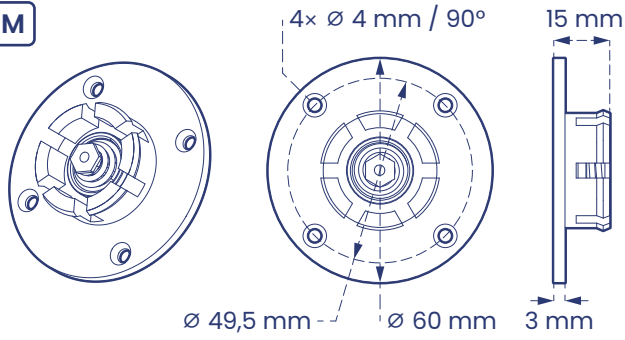
|                                   | <b>SOFT</b>                          | <b>HARD</b>          | <b>SUPER HARD</b>    |
|-----------------------------------|--------------------------------------|----------------------|----------------------|
| <b>M Male</b>                     | FLS_M                                | FLH_M                | FLSH_M               |
| <b>F Female</b>                   | FL_F                                 |                      |                      |
| <b>Complete</b>                   | FLS                                  | FLH                  | FLSH                 |
| Normal force required for release | N 125 ±10%                           | N 185 ±10%           | N 270 ±10%           |
| Material                          | Acetal resin / Nylon                 | Acetal resin / Nylon | Acetal resin / Nylon |
| Recess/hole diameter              | Ø 40 mm                              |                      |                      |
| Flat diameter                     | Ø 60 mm                              |                      |                      |
| Full weight                       | 32 g                                 | 32 g                 | 32 g                 |
| Screws to be used                 | Ø 3.5 mm countersunk flat head screw |                      |                      |

**FITLOCK**  
SYSTEM

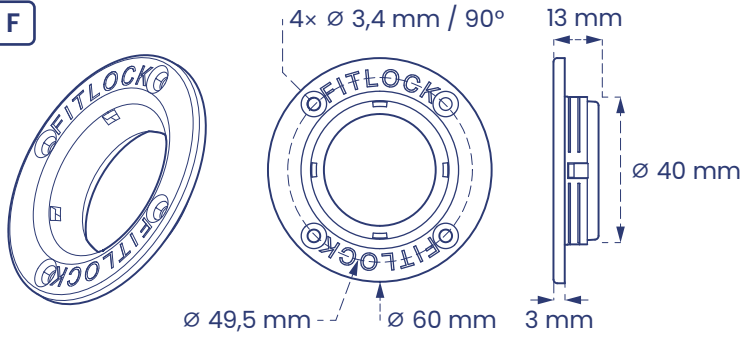
fitlock.it

## SIZE

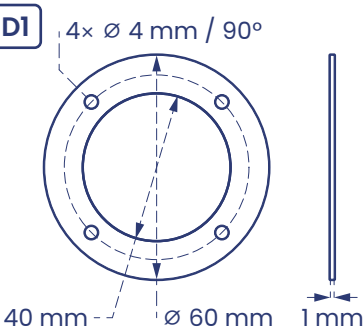
M



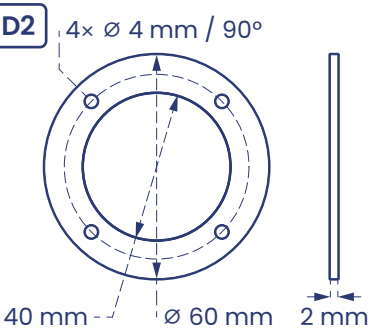
F



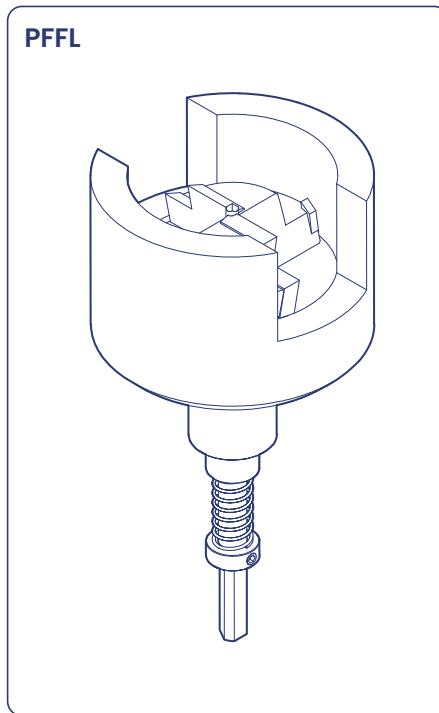
D1



D2

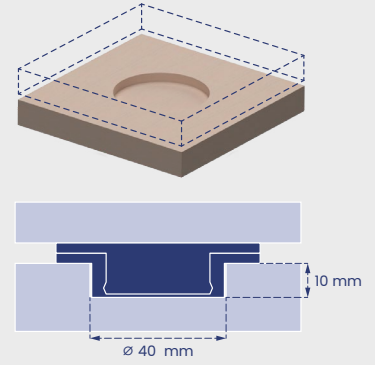


PFFL

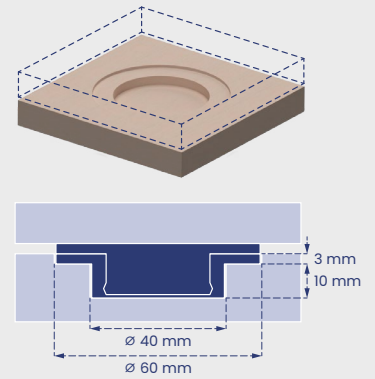


## ASSEMBLY MODE

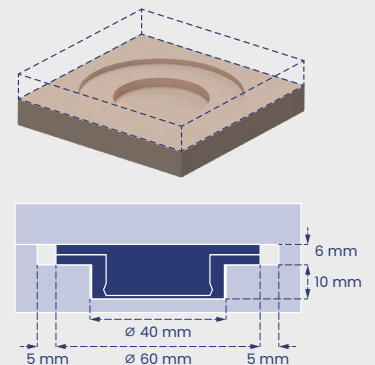
### 6 mm Gap



### 3 mm Gap



### No Gap



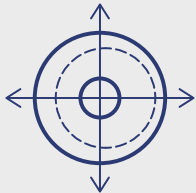
WATCH  
THE TUTORIAL



ART. FLEVO

# FITLOCK EVO

IN ACETAL RESIN/NYLON



exclusive displacement of  
**4 mm**  
in all directions

**PATENTED SYSTEM**

## Benefits

- Precise and quick assembly
- Versatility of use
- Adjustable post-installation gap

## Markets



**Fitlock®** is a pressure fixing system which offers unique benefits for mounting of panelling.

Designed for cladding ceiling panels and walls of any kind, Fitlock® fastening offers high performance in terms of stability and reliability.

**Fitlock Evo** has been designed for mounting all-sized panels also on walls/brackets with reduced thickness and, thanks to the integrated variable thickness spacer, allows to adjust the fastening height very precisely.

Easy to install, remove, and place, Fitlock® simplifies the hardest procedures of inspection, maintenance, and recovery.

Fitlock® is the innovation that revolutionizes the pressure fixing assembly.

## INSTALLATION

### MANUAL POSITIONING

In the installation stage, the fixing points can be marked on the panels using a marker (code M) for an error-free pre-arrangement. For a perfect milling, use the PFFL assembly drill bit.

### SPACER

It allows to adjust the gap between the panel and the bracket by means of the adjusting knob (code MR) in a precise manner without removing the fastening system already installed.

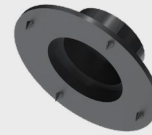
### CAD-CAM POSITIONING

Thanks to the DWG files supplied, the fixing points can be positioned on the panels in the design/production stage.

## ACCESSORIES

M

**Marker**



D1/D2

**Spacers**



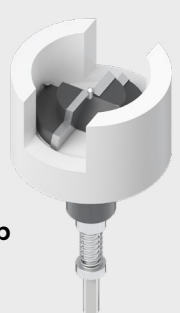
P

**Protection Cap**



PFFL

**Drill bit assembly**



MR

**Adjusting Knob**



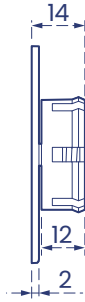
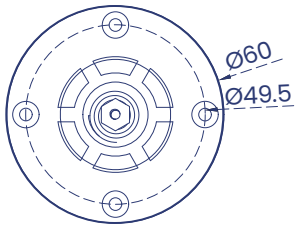
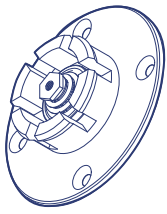
|                                   | <b>SOFT</b>                        | <b>HARD</b>          | <b>SUPER HARD</b>    |
|-----------------------------------|------------------------------------|----------------------|----------------------|
| <b>M Male</b>                     | FLEVOS_M                           | FLEVOH_M             | FLEVOSH_M            |
| <b>F Female</b>                   | FLEVO_F                            |                      |                      |
| <b>Complete</b>                   | FLEVOS                             | FLEVOH               | FLEVOSH              |
| Normal force required for release | N 125 ±10%                         | N 185 ±10%           | N 270 ±10%           |
| Material                          | Acetal resin / Nylon               | Acetal resin / Nylon | Acetal resin / Nylon |
| Recess/hole diameter              | ∅ 40 mm                            |                      |                      |
| Flat diameter                     | ∅ 64 mm                            |                      |                      |
| Full weight                       | 12 g                               | 12 g                 | 14 g                 |
| Screws to be used                 | ∅ 3 mm countersunk flat head screw |                      |                      |

**FITLOCK**  
SYSTEM

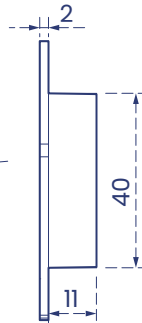
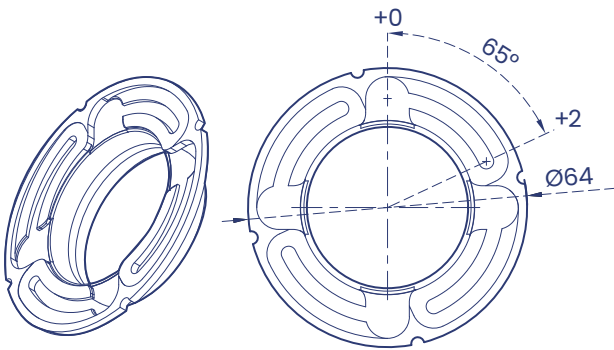
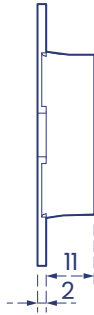
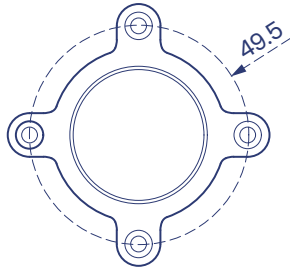
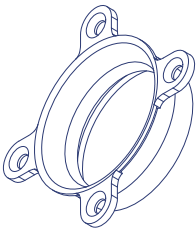
fitlock.it

## SIZE

M

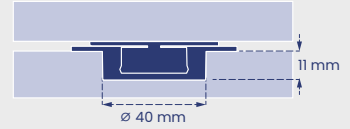
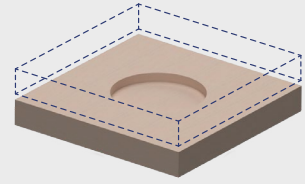


F

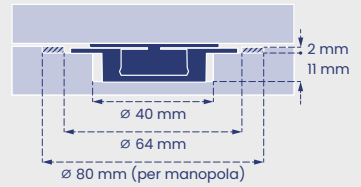
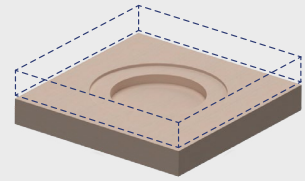


## ASSEMBLY MODE

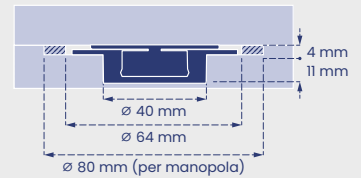
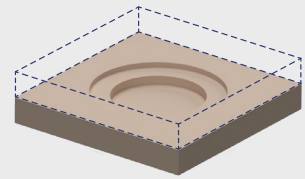
### 4 mm Gap



### 2 mm Gap



### No Gap



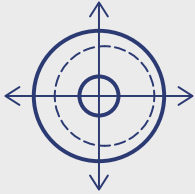
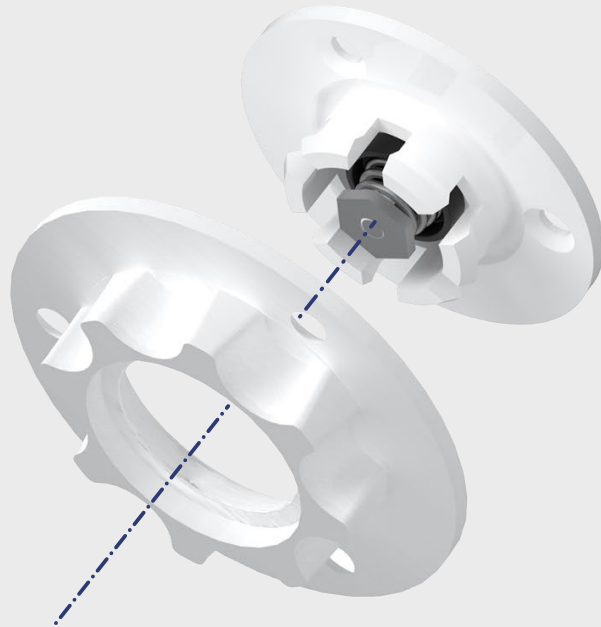
DISCOVER  
MORE



ITEM MFL

# MINI FITLOCK

IN ACETAL RESIN / NYLON



exclusive displacement of  
**3 mm**  
in all directions

**PATENTED SYSTEM**

## Benefits

- Precise and quick assembly
- Versatility of use
- Minimum size

## Markets



**Fitlock®** is a pressure fixing system which offers unique benefits for mounting of panelling.

Designed for cladding ceiling panels and walls of any kind, Fitlock® fastening offers high performance in terms of stability and reliability.

**Mini Fitlock** has been designed for mounting small-sized panels also on walls/brackets with reduced thickness.

Easy to install, remove, and place, Fitlock® simplifies the hardest procedures of inspection, maintenance, and recovery.

Fitlock® is the innovation that revolutionizes the pressure fixing assembly.

## INSTALLATION

### MANUAL POSITIONING

In the installation stage, the fixing points can be marked on the panels using a marker (code MM) for an error-free pre-arrangement. For a perfect milling, use the PFMFL assembly drill bit.

### SPACER

It allows to adjust the gap between the panel and the bracket.

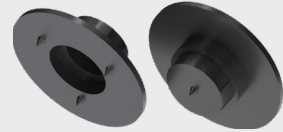
### CAD-CAM POSITIONING

Thanks to the DWG files supplied, the fixing points can be positioned on the panels in the design/production stage.

## ACCESSORIES

MM

### Mini Marker



MD1/MD2/MD3/MD5

### Spacers



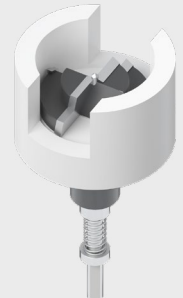
MP

### Mini Protection Cap



PFMFL

### Drill bit assembly



|                                   | <b>SOFT</b>                        | <b>HARD</b>  |
|-----------------------------------|------------------------------------|--------------|
| <b>M Male</b>                     | MFLS_M                             | MFLH_M       |
| <b>F Female</b>                   | MFL_F                              |              |
| <b>Complete</b>                   | MFLS                               | MFLH         |
| Normal force required for release | N 65 ±10%                          | N 120 ±10%   |
| Material                          | Acetal resin / Nylon               | Acetal resin |
| Recess/hole diameter              | ∅ 35 mm                            |              |
| Flat diameter                     | ∅ 40 mm                            |              |
| Full weight                       | 12 g                               | 12 g         |
| Screws to be used                 | ∅ 3 mm countersunk flat head screw |              |

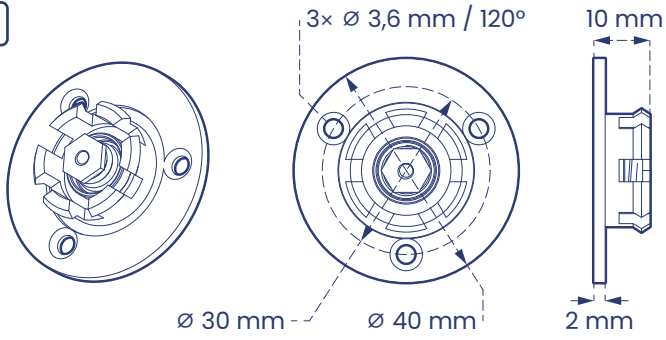
**FITLOCK**  
SYSTEM

fitlock.it

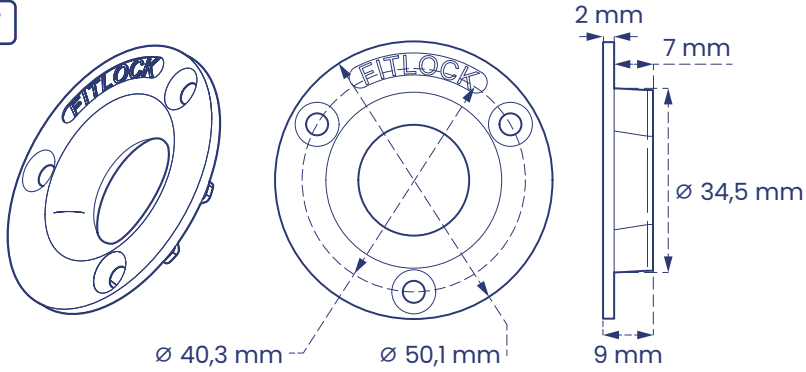


## SIZE

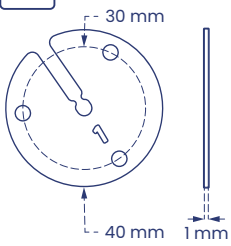
M



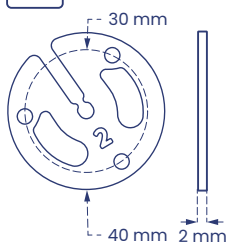
F



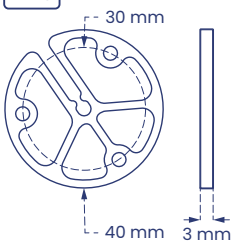
MD1



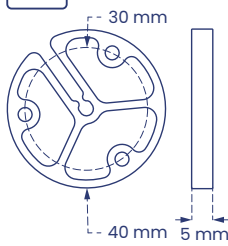
MD2



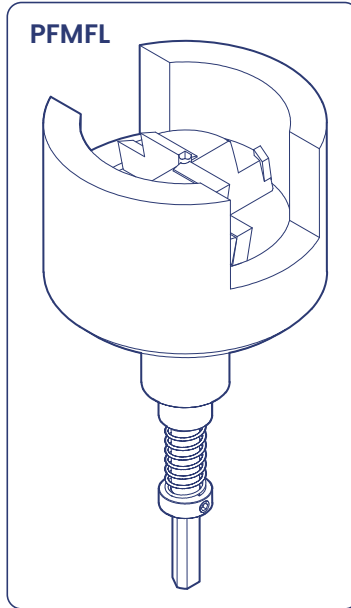
MD3



MD5

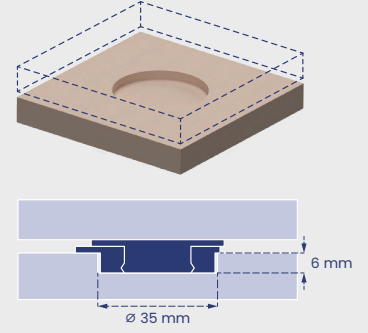


PFMFL

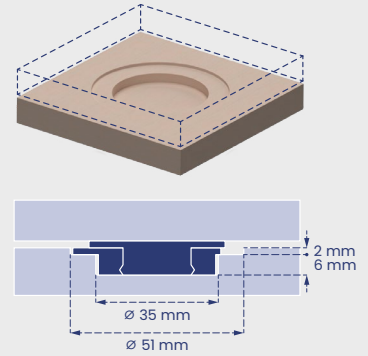


## ASSEMBLY MODE

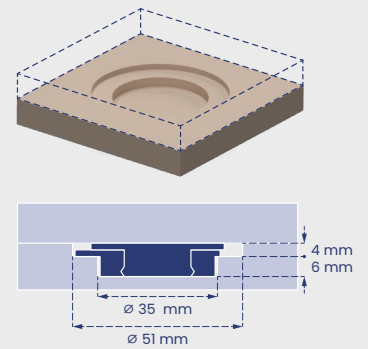
### 4 mm Gap



### 2 mm Gap



### No Gap



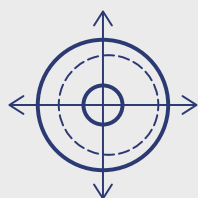
WATCH  
THE TUTORIAL



ITEM MFLEVO

# MINI FITLOCK EVO

IN ACETAL RESIN / NYLON



exclusive displacement of  
**3 mm**  
in all directions

**PATENTED SYSTEM**

## Benefits

- Precise and quick assembly
- Versatility of use
- Adjustable post-installation gap

## Markets



**Fitlock®** is a pressure fixing system which offers unique benefits for mounting of panelling.

Designed for cladding ceiling panels and walls of any kind, Fitlock® fastening offers high performance in terms of stability and reliability.

**Mini Fitlock Evo** has been designed for mounting small-sized panels also on walls/brackets with reduced thickness and, thanks to the integrated variable thickness spacer, allows to adjust the fastening height very precisely.

Easy to install, remove, and place, Fitlock® simplifies the hardest procedures of inspection, maintenance, and recovery.

Fitlock® is the innovation that revolutionizes the pressure fixing assembly.

## INSTALLATION

### MANUAL POSITIONING

In the installation stage, the fixing points can be marked on the panels using a marker (code MM) for an error-free pre-arrangement. For a perfect milling, use the PFMFL assembly drill bit.

### SPACER

It allows to adjust the gap between the panel and the bracket by means of the adjusting knob (code MR) in a precise manner without removing the fastening system already installed.

### CAD-CAM POSITIONING

Thanks to the DWG files supplied, the fixing points can be positioned on the panels in the design/production stage.

## ACCESSORIES

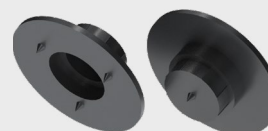
MMR

### Adjusting Knob



MM

### Mini Marker



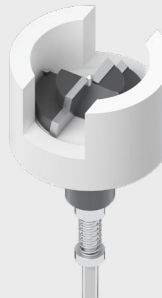
MP

### Mini Protection Cap



PFMFL

### Drill bit assembly

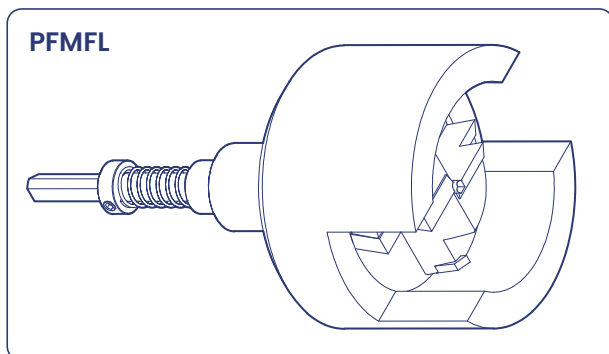
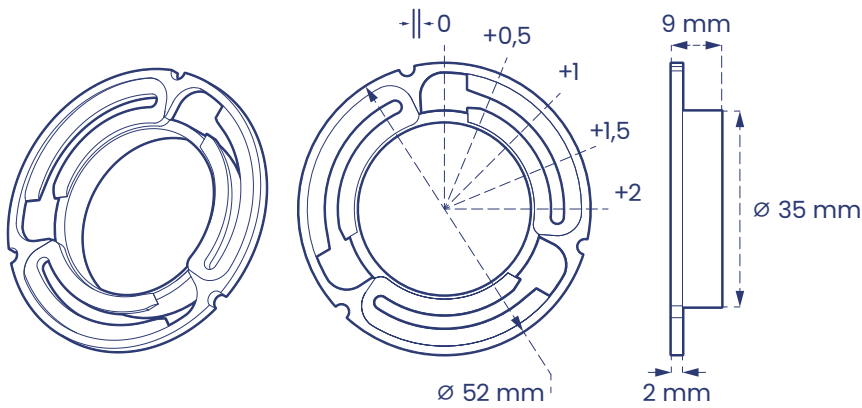
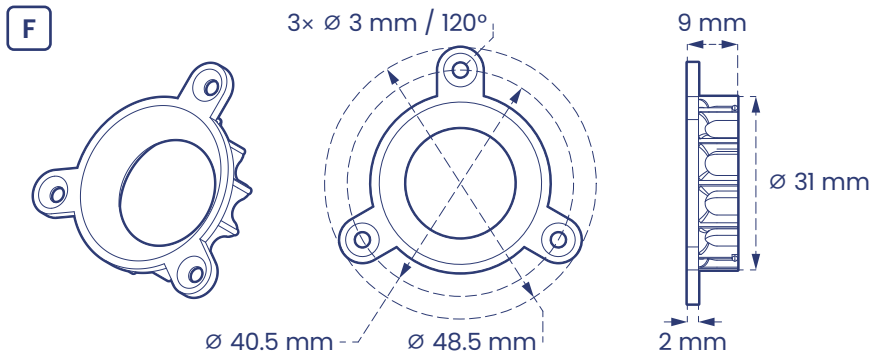
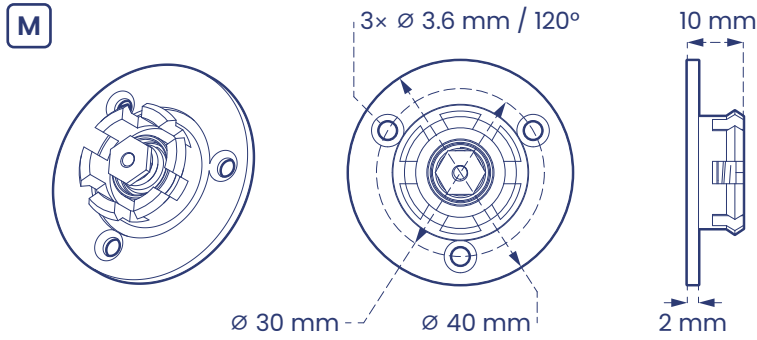


|                                   | <b>SOFT</b>                        | <b>HARD</b> |
|-----------------------------------|------------------------------------|-------------|
| <b>M</b> Male                     | MFLS_M                             | MFLH_M      |
| <b>F</b> Female                   | MFLEVO_F                           |             |
| <b>Complete</b>                   | MFLEVOS                            | MFLEVOH     |
| Normal force required for release | N 65 ±10%                          | N 120 ±10%  |
| Material                          | Acetalica/Nylon                    | Acetalica   |
| Recess/hole diameter              | ∅ 35 mm                            |             |
| Flat diameter                     | ∅ 53 mm                            |             |
| Full weight                       | 12 g                               | 12 g        |
| Screws to be used                 | ∅ 3 mm countersunk flat head screw |             |

**FITLOCK**  
SYSTEM

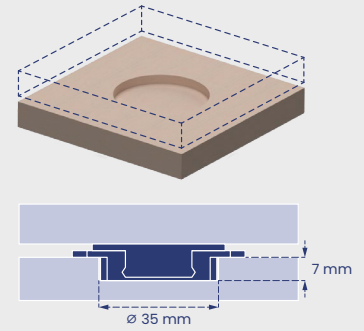
fitlock.it

## SIZE

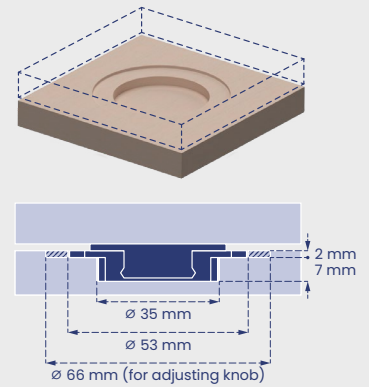


## ASSEMBLY MODE

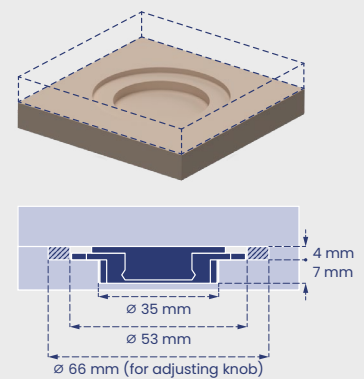
### 4 mm Gap



### 2 mm Gap



### No Gap



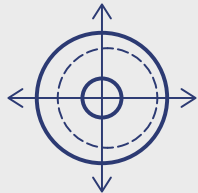
**WATCH  
THE TUTORIAL**



ITEM MFLEVEL

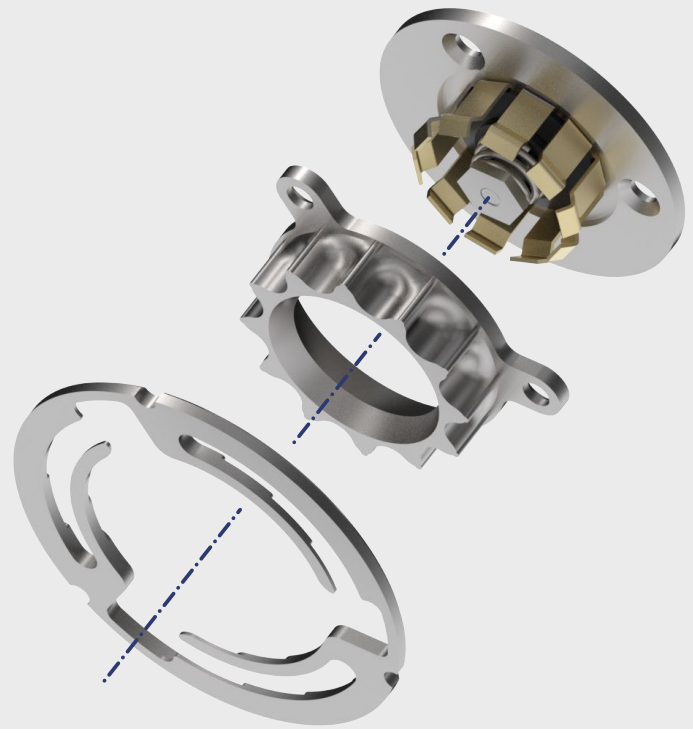
# MINI FITLOCK EVO ALLOY

IN ZINC ALLOY



exclusive displacement of  
**3 mm**  
in all directions

**PATENTED SYSTEM**



## Benefits

- Non-flammable
- Versatility of use
- Adjustable post-installation gap

## Markets



**Fitlock®** is a pressure fixing system which offers unique benefits for mounting of panelling.

Designed for cladding ceiling panels and walls of any kind, Fitlock® fastening offers high performance in terms of stability and reliability.

**Mini Fitlock Alloy** has been designed for mounting small-sized panels also on walls/brackets with reduced thickness and, thanks to the integrated variable thickness spacer (accessories), allows to adjust the fastening height very precisely.

Easy to install, remove, and place, Fitlock® simplifies the hardest procedures of inspection, maintenance, and recovery.

Fitlock® is the innovation that revolutionizes the pressure fixing assembly.

## INSTALLATION

### MANUAL POSITIONING

In the installation stage, the fixing points can be marked on the panels using a marker (code MM) for an error-free pre-arrangement. For a perfect milling, use the PFMFL assembly drill bit.

### SPACER

It allows to adjust the gap between the panel and the bracket by means of the adjusting knob (code MR) in a precise manner without removing the fastening system already installed.

### CAD-CAM POSITIONING

Thanks to the DWG files supplied, the fixing points can be positioned on the panels in the design/production stage.

## ACCESSORIES

LD1/LD2

### Spacers



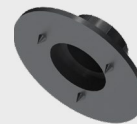
MMR

### Adjusting Knob



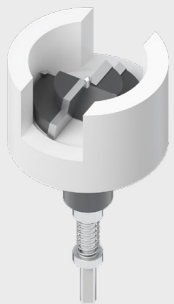
MM

### Mini Marker



PFMFL

### Drill bit assembly



LMP

### Mini Protection Cap

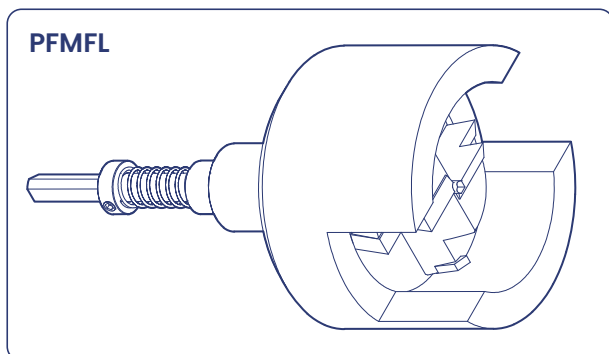
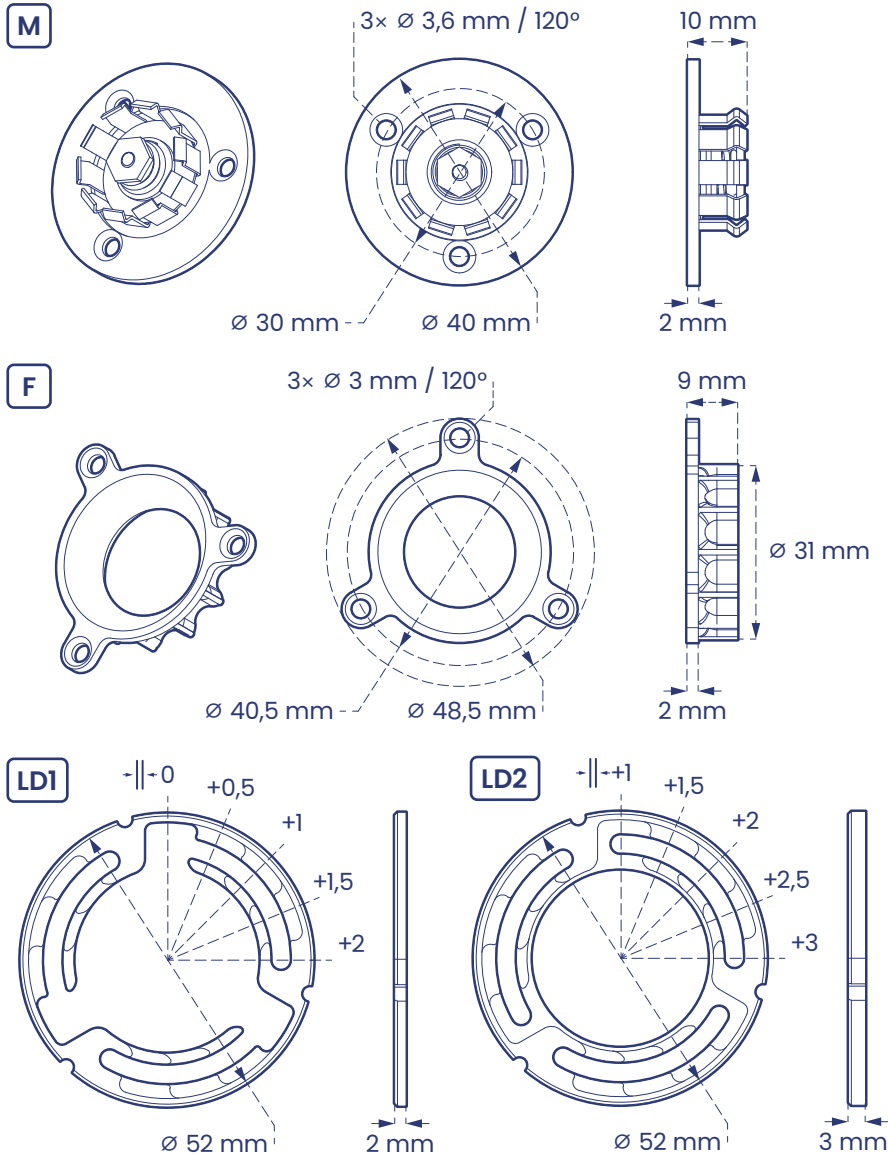


|                                   |                                    |
|-----------------------------------|------------------------------------|
| <b>M</b> Male                     | MFLEVEL_M                          |
| <b>F</b> Female                   | MFLEVEL_F                          |
| <b>Complete</b>                   | MFLEVEL                            |
| Normal force required for release | N 110 ±10%                         |
| Material                          | Zamak                              |
| Recess/hole diameter              | ∅ 32 mm                            |
| Flat diameter                     | ∅ 52 mm                            |
| Full weight                       | 10 g                               |
| Screws to be used                 | ∅ 3 mm countersunk flat head screw |

**FITLOCK**  
SYSTEM

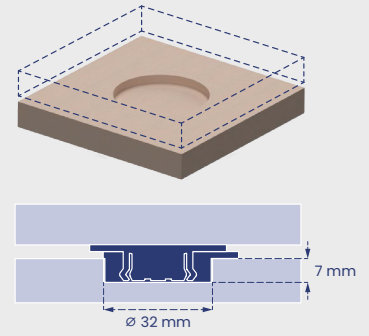
fitlock.it

## SIZE

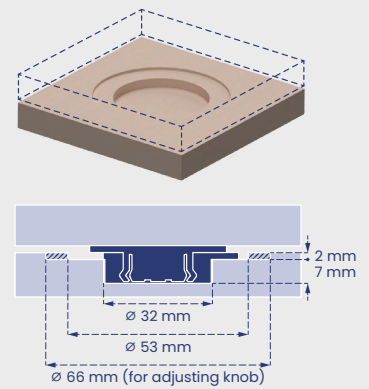


## ASSEMBLY MODE

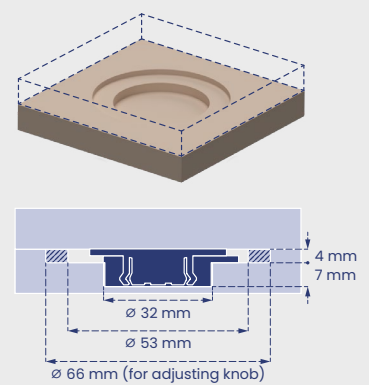
### 4-7 mm Gap



### 2-5 mm Gap



### 0-3 mm Gap



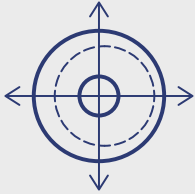
**WATCH  
THE TUTORIAL**



ITEM FLI/FLZ

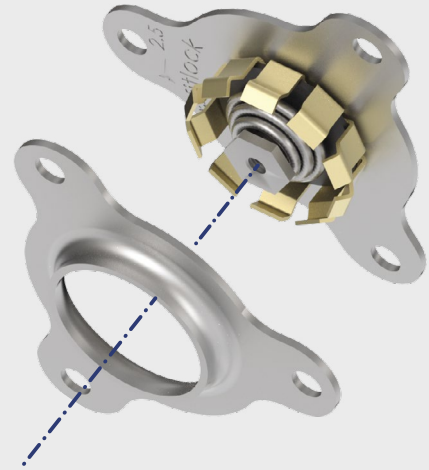
# FITLOCK STAINLESS STEEL / GALVANIZED

STAINLESS STEEL / GALVANIZED



exclusive displacement of  
**3 mm**  
in all directions

**PATENTED SYSTEM**



## Benefits

- Non-flammable
- Reduced gap of panels
- Suitable for thin panels

## Markets



**Fitlock®** is a pressure fixing system which offers unique benefits for mounting of panelling.

Designed for cladding ceiling panels and walls of any kind, Fitlock® fastening offers high performance in terms of stability and reliability.

**Mini Fitlock Stainless Steel / Galvanized** differ from one another in the material that they are made of (stainless steel / galvanized iron).

Fitlock Stainless Steel / Galvanized have been conceived for environments in which the use of non-flammable materials is required.

Thanks to the very thin thickness of the flanges and to the low profile of the fastening fitting, it allows to reduce the gap between the panel and the bracket (two millimetres) to

a minimum. It also permits to use the Fitlock® system also with panels with reduced thickness (minimum 9 mm thickness of the panel).

Fitlock® is the innovation that revolutionizes the pressure fixing assembly.

## INSTALLATION

### CAD-CAM POSITIONING

Thanks to the DWG files supplied, the fixing points can be positioned on the panels in the design/production stage.

## ACCESSORIES

LMP  
**Mini Protection Cap**



|                                   | INOX                                 | ZINCATO         |
|-----------------------------------|--------------------------------------|-----------------|
| <b>M</b> Male                     | FLI_M                                | FLZ_M           |
| <b>F</b> Female                   | FLI_F                                | FLZ_F           |
| <b>Complete</b>                   | FLI                                  | FLZ             |
| Normal force required for release | N 120 ±10%                           |                 |
| Material                          | Stainless steel                      | Galvanized iron |
| Recess/hole diameter              | Ø 29 mm                              |                 |
| Flat size                         | Ø 54 mm                              |                 |
| Full weight                       | 20 g                                 |                 |
| Screws to be used                 | Ø 2.5 mm countersunk flat head screw |                 |

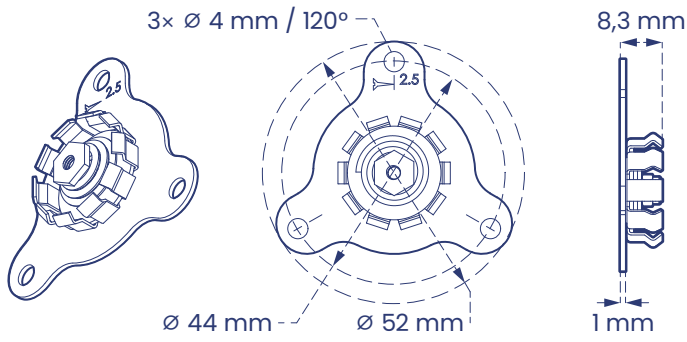
**FITLOCK**  
SYSTEM

fitlock.it

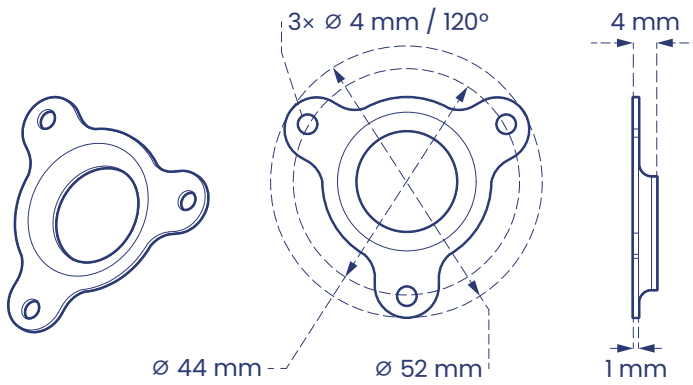


## SIZE

M

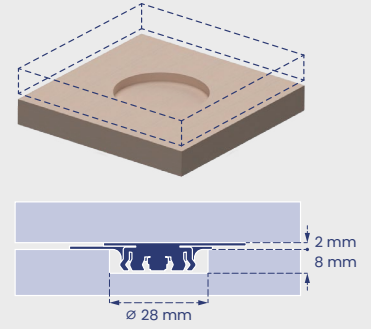


F

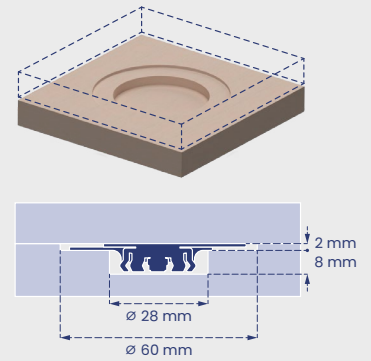


## ASSEMBLY MODE

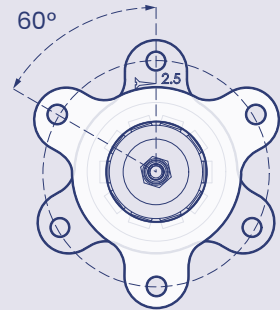
### 2 mm Gap



### No Gap



## WARNING



Offset the fastening holes by 60° between male and female to avoid screws overlapping.



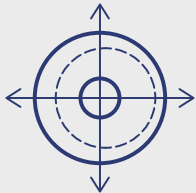
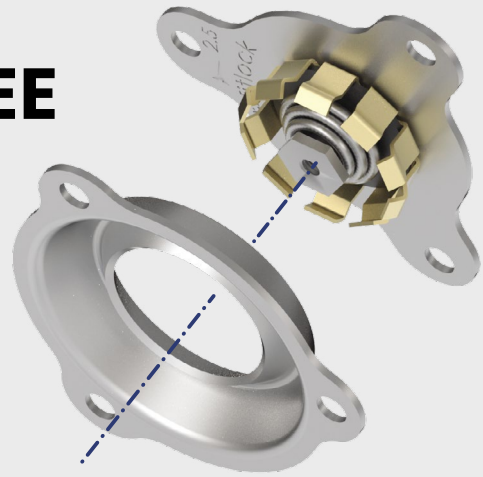
WATCH  
THE TUTORIAL



ITEM FLIF/FLIFZ

# FITLOCK STAINLESS STEEL / GALVANIZED FREE

STAINLESS STEEL / GALVANIZED



exclusive displacement of  
**3 mm**  
in all directions

**PATENTED SYSTEM**

## Benefits

- It does not require any recessed housing
- Precise and quick assembly
- Non-flammable

## Markets



**Fitlock®** is a pressure fixing system which offers unique benefits for mounting of panelling.

Designed for cladding ceiling panels and walls of any kind, Fitlock® fastening offers high performance in terms of stability and reliability.

**Mini Fitlock Stainless Steel / Galvanized** mod **FREE** differ from one another in the material that they are made of (stainless steel / galvanized iron).

Fitlock Stainless Steel / Galvanized mod **FREE** have been conceived for environments in which the use of non-flammable materials is required.

It is particularly useful when the panel cannot be drilled.

The **FREE** model allows to install the fixing system in just 9 mm, without

making holes in the panel nor using screws or glue.

Fitlock® is the innovation that revolutionizes the pressure fixing assembly.

## INSTALLATION

### CAD-CAM POSITIONING

Thanks to the DWG files supplied, the fixing points can be positioned on the panels in the design/production stage.

## ACCESSORIES

LMP

### Mini Protection Cap



|                                   | STAINLESS STEEL                      | GALVANISED      |
|-----------------------------------|--------------------------------------|-----------------|
| <b>M</b> Male                     | FLI_M                                | FLZ_M           |
| <b>F</b> Female                   | FLFF_F                               | FLZF_F          |
| <b>Complete</b>                   | FLIF                                 | FLIFZ           |
| Normal force required for release | N 70 ±10%                            |                 |
| Material                          | Stainless steel                      | Galvanized iron |
| Flat size                         | Ø 54 mm                              |                 |
| Full weight                       | 20 g                                 |                 |
| Screws to be used                 | Ø 2.5 mm countersunk flat head screw |                 |

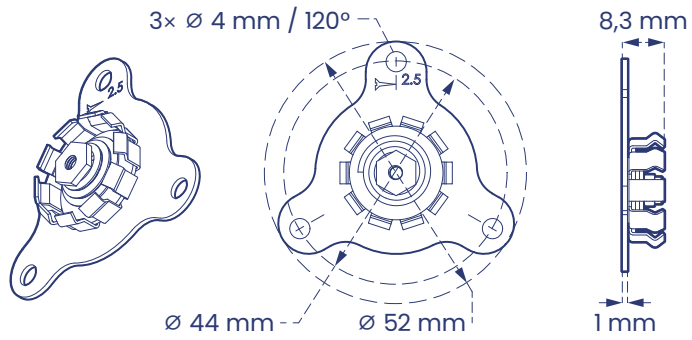
**FITLOCK**  
SYSTEM

fitlock.it



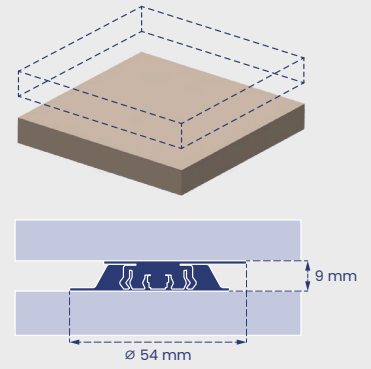
## SIZE

M

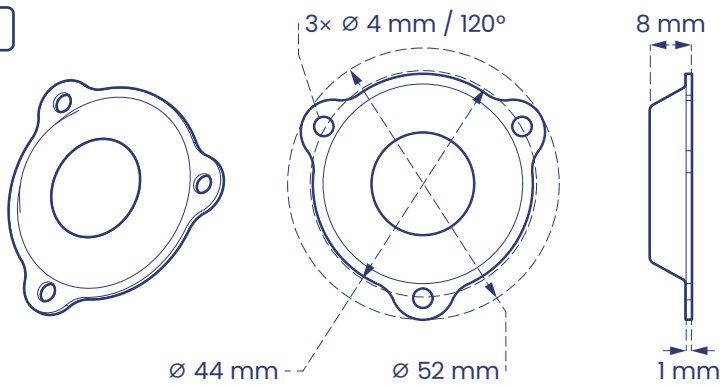


## ASSEMBLY MODE

9 mm Gap



F



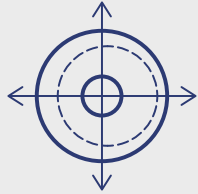
WATCH  
THE TUTORIAL



ITEM MFLC

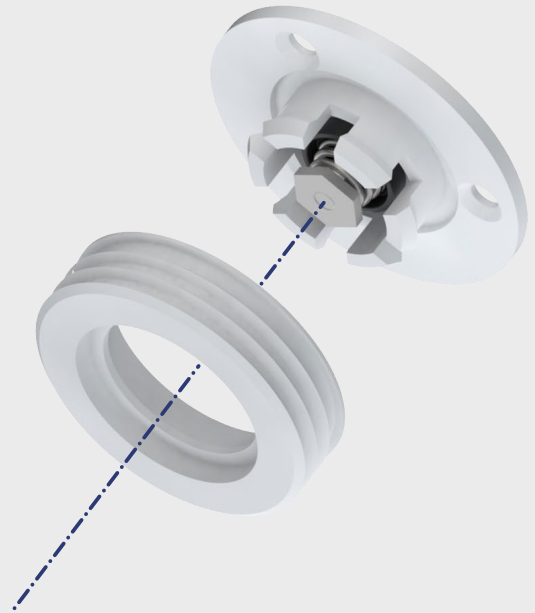
# MINI FITLOCK COLPO

IN ACETAL RESIN / NYLON



exclusive displacement of  
**3 mm**  
in all directions

**PATENTED SYSTEM**



## Benefits

- Reduced use of screws
- Quick recessed housing
- Precise assembly and easy removal

## Markets



**Fitlock®** is a pressure fixing system which offers unique benefits for mounting of panelling, designed for cladding ceiling panels and walls of any kind, offering high performance in terms of stability and reliability.

**Mini Fitlock Colpo** is designed to offer a pressure fixing system for low-thickness surfaces that do not allow housing of the standard format of the parts on both sides.

The male fitting is fixed with the screws on the side with reduced-thickness, while the female fitting engages constantly into its appropriate housing seat by simply hitting.

The panels and cladding fitted with Mini Fitlock Colpo area easily removable to simplify the most complicated activities of inspection, maintenance and recovery.

Fitlock® is the innovation that revolutionizes the pressure fixing assembly.

## INSTALLATION

### MANUAL POSITIONING

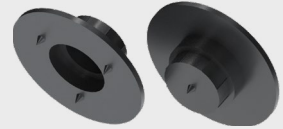
In the installation stage, after having mounted the male fitting, the entry point for female fitting can be marked using the position marker (code MM) for an error-free pre-arrangement.

### CAD-CAM POSITIONING

Thanks to the DWG files supplied, the fixing points can be positioned on the panels in the design/production stage.

## ACCESSORIES

MM  
**Mini Marker**



MD1/MD2/MD3/MD5  
**Spacers**



MP  
**Mini Protection Cap**

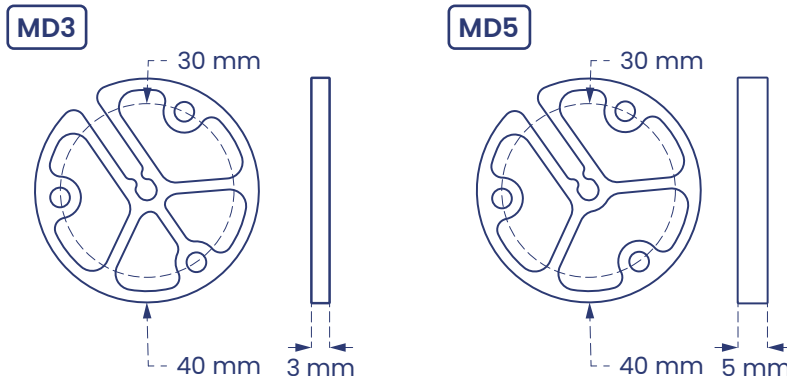
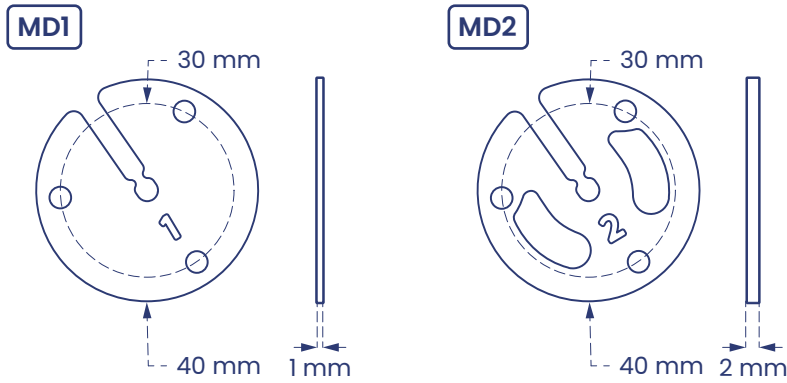
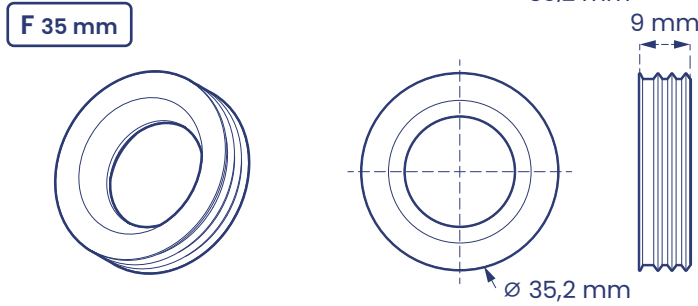
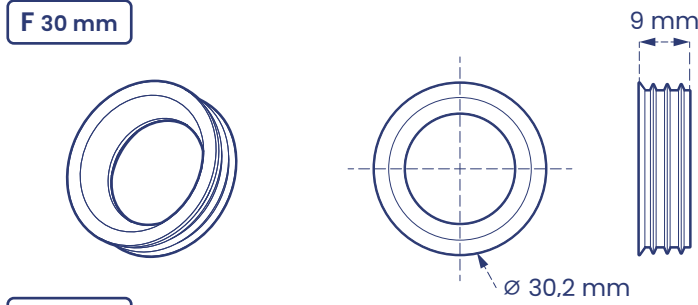
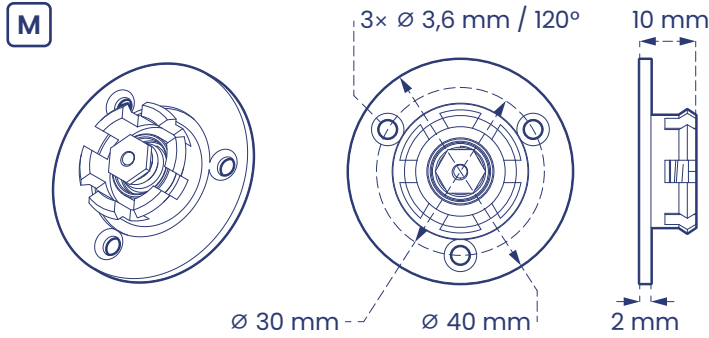


|                                   | <b>SOFT</b>                        | <b>HARD</b>          |
|-----------------------------------|------------------------------------|----------------------|
| <b>M</b> Male                     | MFLS_M                             | MFLH_M               |
| <b>F</b> Female 30/35             | MFLC_F/MFLC35_F                    |                      |
| <b>Complete 30/35</b>             | MFLCS/MFLC35S                      | MFLCH/MFLC35H        |
| Normal force required for release | N 65 ±10%                          | N 120 ±10%           |
| Material                          | Acetal resin / Nylon               | Acetal resin / Nylon |
| Recess/hole diameter              | ∅ 30.2/35 mm                       |                      |
| Flat diameter                     | ∅ 40 mm                            |                      |
| Full weight                       | 13/15 g                            | 13/15 g              |
| Screws to be used                 | ∅ 3 mm countersunk flat head screw |                      |

**FITLOCK**  
SYSTEM

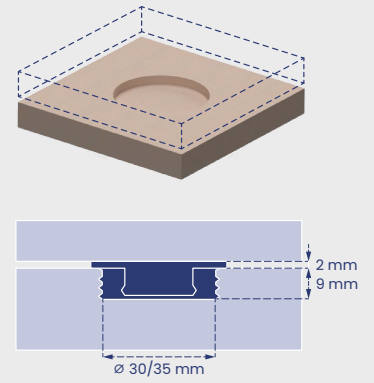
fitlock.it

**SIZE**

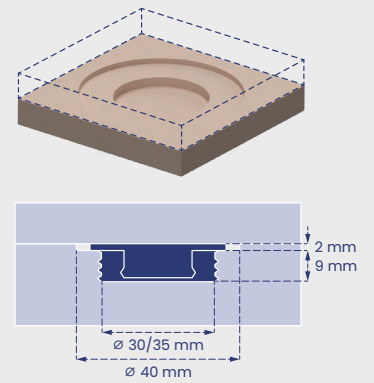


**ASSEMBLY MODE**

**2 mm Gap**



**No Gap**



**WATCH THE TUTORIAL**

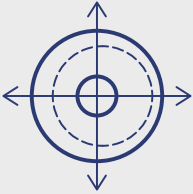


**NOTICE:** The above information and provisions, although reflecting our best experience, shall be deemed as merely indicative and shall be confirmed by exhaustive practical applications. Therefore, before using the product, those who intend to use it shall determine whether it is suitable for its intended use and anyway shall undertake all responsibility resulting from its use.

ITEM MFLCC

# MINI FITLOCK COLPO COLPO

IN ACETAL RESIN / NYLON



exclusive displacement of  
**3 mm**  
in all directions

**PATENTED SYSTEM**



## Benefits

- No screws / No glue
- Quick recessed housing
- Precise assembly and easy removal

## Markets



**Fitlock®** is a pressure fixing system designed for cladding ceiling panels and walls of any kind, the Fitlock® fastening system offers high performance in terms of stability and reliability.

**Mini Fitlock Colpo Colpo** engages into the standard housings of  $\varnothing$  30 mm in a stable manner and allows only pressure fixing of cladding with no need to use screws.

Mini Fitlock Colpo Colpo, as any Fitlock® systems, offers a concentric coupling mode that allows to move the panels already in place to reach a perfect approach and coupling.

The female and male fittings can be mounted on panels or supports indifferently.

The panels and cladding fitted with Mini Fitlock Colpo area easily removable to simplify the most complicated activities of inspection, maintenance and recovery.

Fitlock® is the innovation that revolutionizes the pressure fixing assembly.

## INSTALLATION

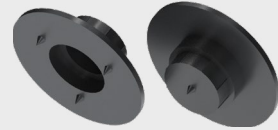
### MANUAL POSITIONING

In the installation stage, after having mounted the male fitting, the entry point for female fitting can be marked using the position marker (code MM) for an error-free pre-arrangement.

## ACCESSORIES

MM

### Mini Marker



MP

### Mini Protection Cap



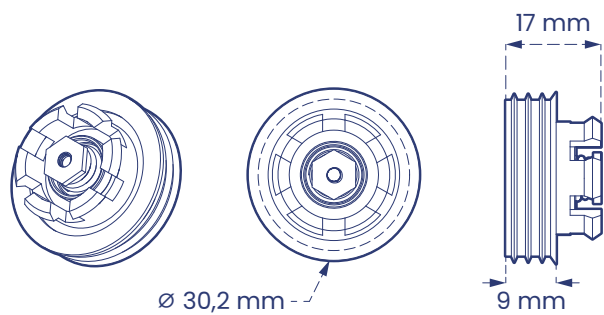
|                                   | <b>SOFT</b>          | <b>HARD</b>          |
|-----------------------------------|----------------------|----------------------|
| <b>M</b> Male                     | MFLCS_M              | MFLCH_M              |
| <b>F</b> Female                   | MFLC_F / MFLC35_F    |                      |
| <b>Complete</b>                   | MFLCCS / MFLCC35S    | MFLCCH / MFLCC35H    |
| Normal force required for release | N 65 $\pm$ 10%       | N 120 $\pm$ 10%      |
| Material                          | Acetal resin / Nylon | Acetal resin / Nylon |
| Recess/hole diameter              | $\varnothing$ 30 mm  |                      |
| Full weight                       | 13 g                 | 13 g                 |

**FITLOCK**  
SYSTEM

fitlock.it

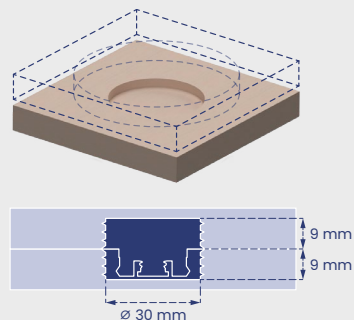
## SIZE

M

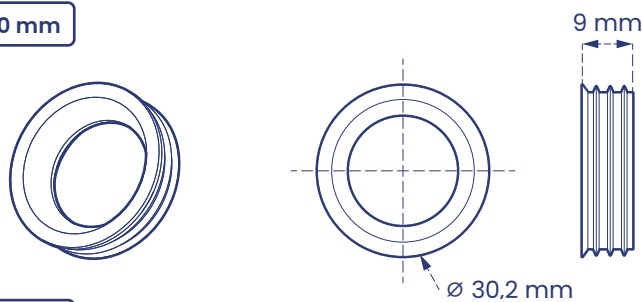


## ASSEMBLY MODE

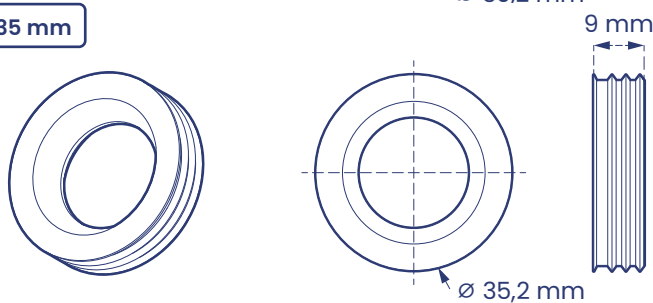
No Gap



F 30 mm



F 35 mm



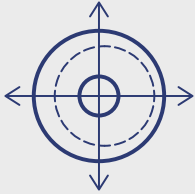
WATCH  
THE TUTORIAL



ITEM MFLBASE

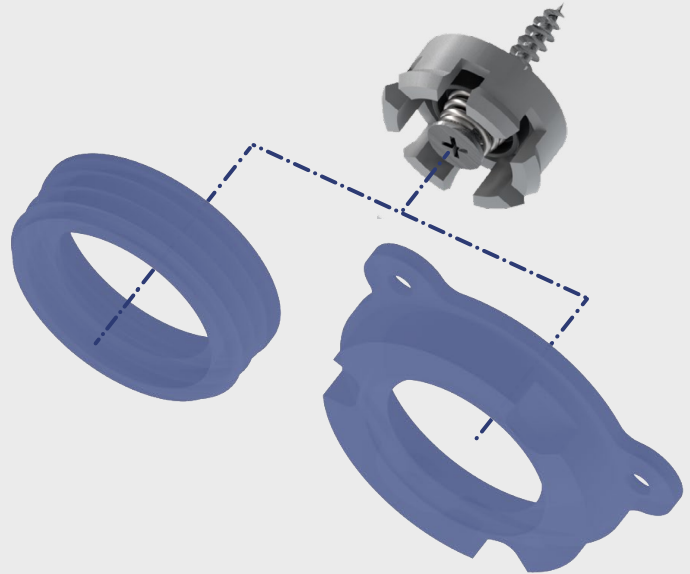
# MINI FITLOCK BASE

IN ACETAL RESIN / NYLON



exclusive displacement of  
**3 mm**  
in all directions

**PATENTED SYSTEM**



Female fitting not included

## Benefits

- Only one screw
- Quick recessed housing
- Precise assembly and easy removal

## Markets



**Fitlock®** is a pressure fixing system designed for cladding ceiling panels and walls of any kind, especially suitable for small-sized panels. Fitlock® fastening offers high performance in terms of stability and reliability.

**Mini Fitlock Base** engages into the standard housings of  $\varnothing$  30 mm in a stable manner and allows only pressure fixing of cladding with Colpo female fittings or by means of screws with the female fittings of the Mini Fitlock line.

Mini Fitlock Base, as any Fitlock® systems, offers a concentric coupling mode that allows to move the panels already in place to reach a perfect approach and coupling.

The female and male fittings can be mounted on panels or supports indifferently.

The panels and cladding fitted with Mini Fitlock Base are easily removable to simplify the most complicated activities of inspection, maintenance and recovery.

The kit gives the possibility to install the male fitting in mobile or fixed version.

Fitlock® is the innovation that revolutionizes the pressure fixing assembly.

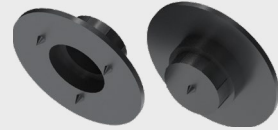
## INSTALLATION

### MANUAL POSITIONING

In the installation stage, after having mounted the male fitting, the entry point for female fitting can be marked using the position marker (code MM) for an error-free pre-arrangement.

## ACCESSORIES

MM  
**Mini Marker**



MP  
**Mini Protection Cap**



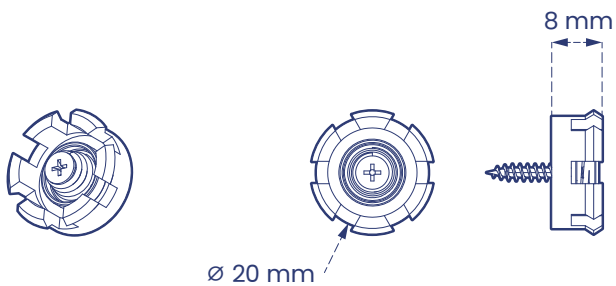
|                                   | <b>SOFT</b>              | <b>HARD</b>          |
|-----------------------------------|--------------------------|----------------------|
| <b>M</b> Male                     | MFLBASES_M               | MFLBASEH_M           |
| Normal force required for release | N 65 $\pm$ 10%           | N 120 $\pm$ 10%      |
| Material                          | Acetal resin / Nylon     | Acetal resin / Nylon |
| Recess/hole diameter              | $\varnothing$ 30.2/35 mm |                      |
| Full weight                       | 8/10 g                   | 8/10 g               |

**FITLOCK**  
SYSTEM

fitlock.it

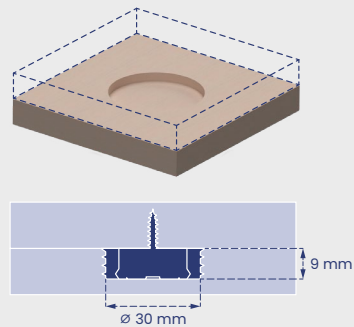
## SIZE

M



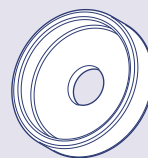
## ASSEMBLY MODE

### No Gap

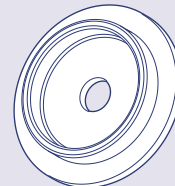


## WARNING

For the concentric movement of the male fitting, use the following washer.



In order to **avoid** the concentric movement of the male fitting, use the following washer.



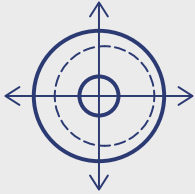
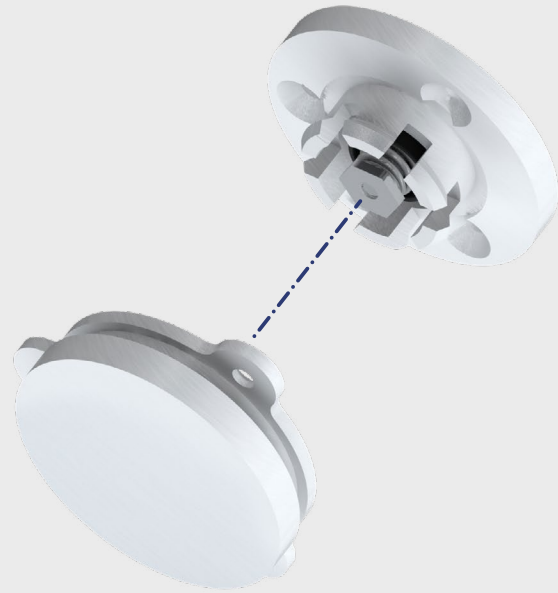
WATCH  
THE TUTORIAL



ITEM. AZMFL

# AZMINI FITLOCK

IN ACETAL RESIN/NYLON



exclusive displacement of  
**3 mm**  
in all directions

**PATENTED SYSTEM**

## Benefits

- It can be coated with resin
- Precise and quick assembly
- Versatility of use

## Markets



**Fitlock®** is a pressure fixing system which offers unique benefits for mounting of panelling.

Designed for cladding ceiling panels and walls of any kind, Fitlock® fastening offers high performance in terms of stability and reliability.

**AZ Mini Fitlock** has been designed to be installed directly on the bracket via resin coating of the female fitting or co-moulded.

**AZ Mini Fitlock** is perfectly compatible with the entire **Mini Fitlock** (MFL) series, thanks to its perfect interchangeability with the male and female fittings of the whole **Mini Fitlock** (MFL) line, including its accessories.

Easy to install, remove, and place, Fitlock® simplifies the hardest procedures of inspection, maintenance, and recovery.

Fitlock® is the innovation that revolutionises the pressure fixing assembly. Installation

### MANUAL POSITIONING

In the installation stage, the fixing points can be marked on the panels using a marker (code MM) for an error-free pre-arrangement.

### SPACER

It allows to adjust the gap between the panel and the bracket.

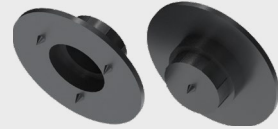
### CAD-CAM POSITIONING

Thanks to the DWG files supplied, the fixing points can be positioned on the panels in the design/production stage.

## ACCESSORIES

MM

### Mini Marker



MD1/MD2/MD3/MD5

### Spacers



MP

### Mini Protection Cap



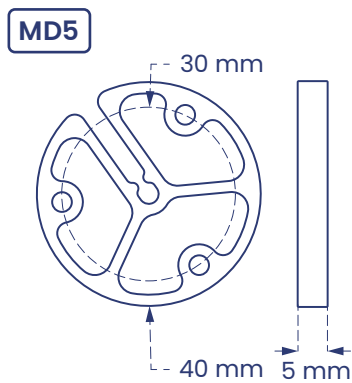
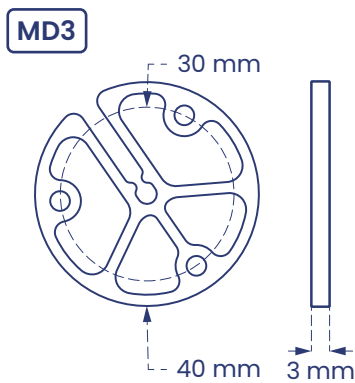
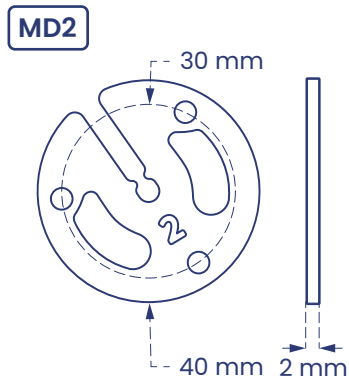
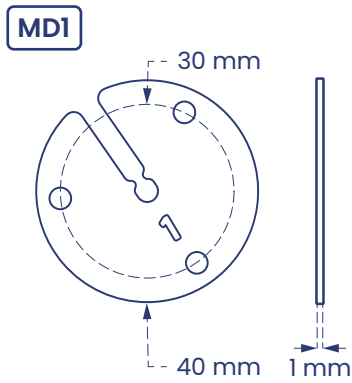
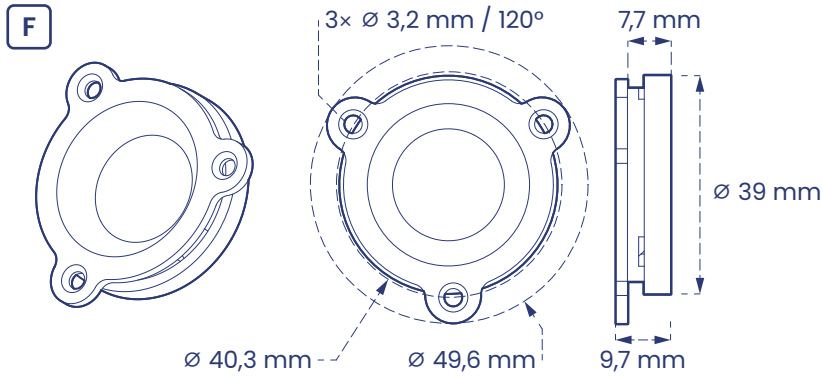
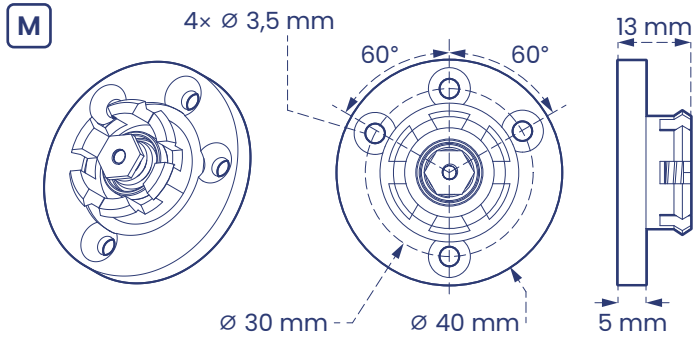
|                                   | SOFT                               | HARD         | SUPER HARD   |
|-----------------------------------|------------------------------------|--------------|--------------|
| <b>M</b> Male                     | AZMFLS_M                           | AZMFLH_M     | AZMFLSH_M    |
| <b>F</b> Female                   | AZMFL_F                            |              |              |
| <b>Complete</b>                   | AZMFLS                             | AZMFLH       | AZMFLSH      |
| Normal force required for release | N 65 ±10%                          | N 120 ±10%   | N 170 ±10%   |
| Female fitting material           | Nylon                              | Nylon        | Nylon        |
| Male fitting material             | Acetal Resin/Nylon                 | Acetal Resin | Acetal Resin |
| Recess/hole diameter              | ∅ 40 mm                            |              |              |
| Flat diameter                     | ∅ 40 mm                            |              |              |
| Full weight                       | 14 g                               | 14 g         | 16 g         |
| Screws to be used                 | ∅ 3 mm countersunk flat head screw |              |              |

**FITLOCK**  
SYSTEM

fitlock.it

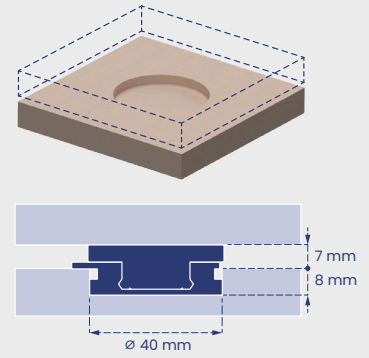


## SIZE

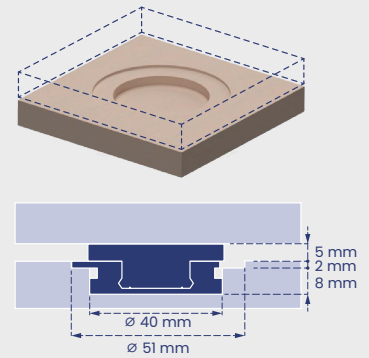


## ASSEMBLY MODE

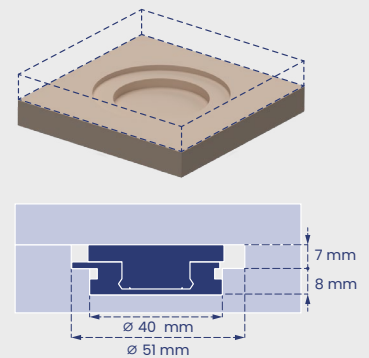
### 7 mm Gap



### 5 mm Gap



### No Gap



**WATCH  
THE TUTORIAL**

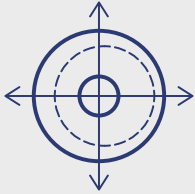


ITEM MFLBUILD

# MINI FITLOCK BUILD

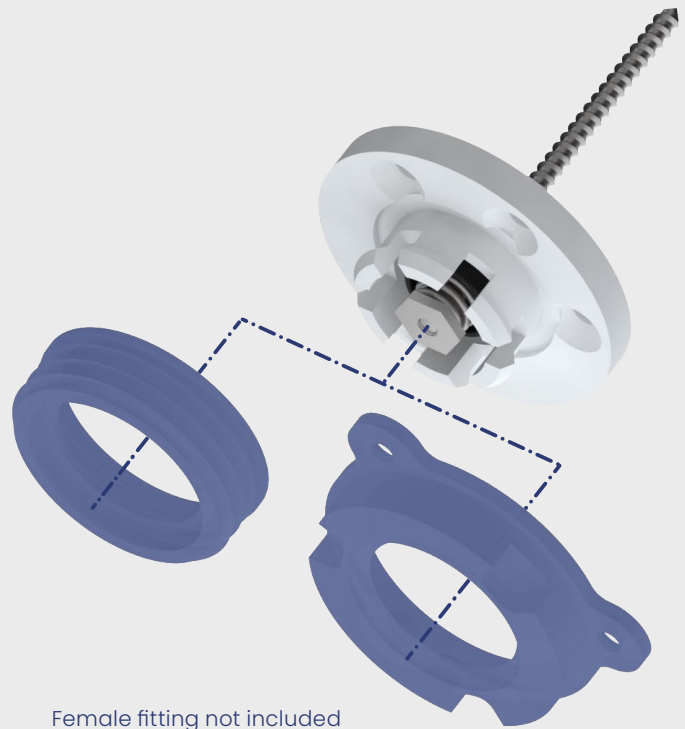
IN ACETAL RESIN/NYLON

M F S



exclusive displacement of  
**3 mm**  
in all directions

**PATENTED SYSTEM**



Female fitting not included

## Benefits

- Precise and quick assembly
- Compatible with all mini female fittings
- Installation on expansion anchors

## Markets



**Fitlock®** is a pressure fixing system which offers unique benefits for mounting of panelling.

Designed for cladding ceiling panels and walls of any kind, Fitlock® fastening offers high performance in terms of stability and reliability.

**Mini Fitlock Build** has been designed to be installed directly on different kinds of walls, as plasterboard or cement, ensuring Fitlock robustness and versatility. **Mini Fitlock Build** is perfectly compatible with all of female fittings of the series **Mini Fitlock (MFL)** and **Mini Fitlock Colpo (MFLC)**, including the relevant accessories.

Easy to install, remove, and place, Fitlock® simplifies the hardest procedures of inspection, maintenance, and recovery.

Fitlock® is the innovation that revolutionises the pressure fixing assembly.

## INSTALLATION

### MANUAL POSITIONING

In the installation stage, the fixing points can be marked on the panels using a marker (code MM) for an error-free pre-arrangement.

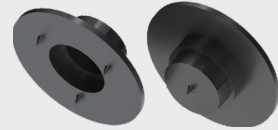
### SPACER

It allows to adjust the gap between the panel and the bracket.

## ACCESSORIES

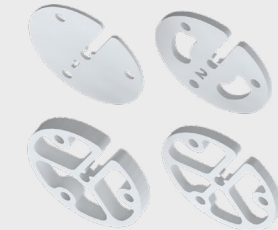
MM

### Mini Marker



MD1/MD2/MD3/MD5

### Spacers



MP

### Mini Protection Cap

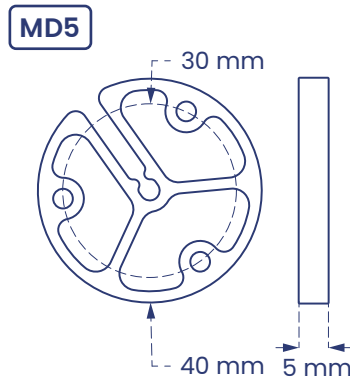
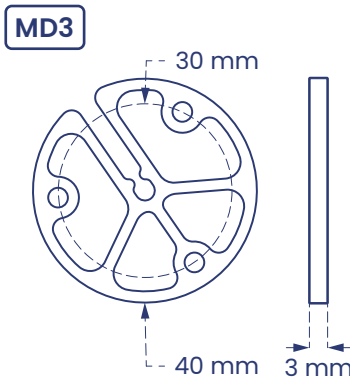
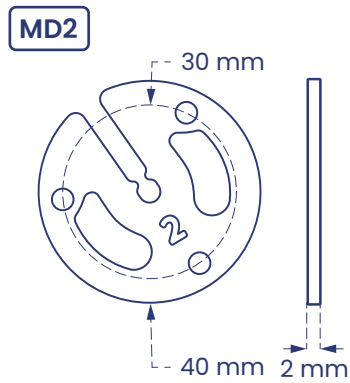
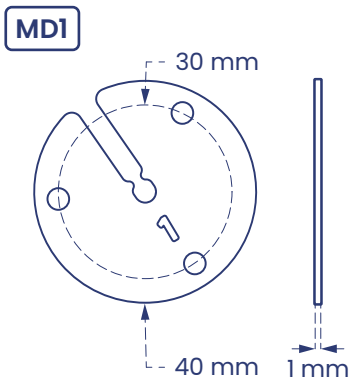
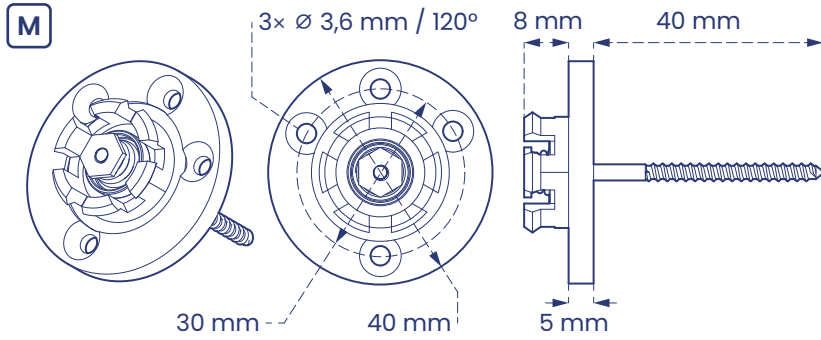


|                                   | SOFT                | HARD         | SUPER HARD   |
|-----------------------------------|---------------------|--------------|--------------|
| <b>M</b> Male                     | MFLBUILDS_M         | MFLBUILDH_M  | MFLBUILDSH_M |
| Normal force required for release | N 65 ±10%           | N 120 ±10%   | N 170 ±10%   |
| Material                          | Acetal Resin/Nylon  | Acetal Resin | Acetal Resin |
| Flat diameter                     | ∅ 40 mm             |              |              |
| Screw                             | ∅ 3 × 40 mm / 30 mm |              |              |
| Full weight                       | 13 g                | 13 g         | 15 g         |

**FITLOCK**  
SYSTEM

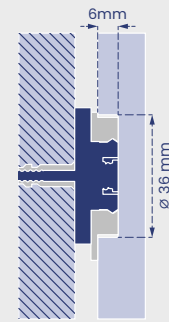
fitlock.it

## SIZE

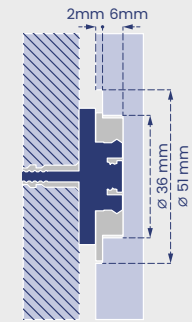


## ASSEMBLYMODE

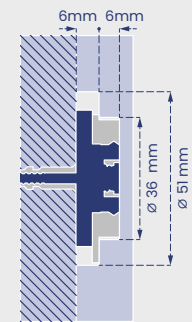
### 6 mm Gap



### 4 mm Gap



### No Gap



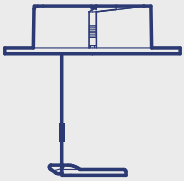
WATCH  
THE TUTORIAL



ITEM FITKITE

# FITKITE

IN PLASTIC/STEEL



exclusive  
**clutched**  
connection safe and practical  
**PATENTED SYSTEM**

## Benefits

- Inspections in complete safety
- Easy installation
- Suitable also for after-sale

## Markets



**Fitkite®** is the clutched fixing system that increases the benefits of **Fitlock** in the inspection stage.

Thanks to the adjustable clutch, **Fitkite®** allows to reduce and envisage the descending speed of the panel, thus allowing to uncouple the panel safely in case of inspection without the risk of an accidental fall. Furthermore, in the event of free accidental fall, it makes the inspection tasks particularly safe.

**Fitkite®** allows to remove the panel from its seat and leave it hanging, thus speeding inspections, maintenance and any kind of task by making the operator autonomous in movements.

**Fitkite®** allows the operator to carry out the tasks in complete safety and autonomy, avoiding the risk of injuries or any damage in case of unintentional release, as the clutch system would lock the panel immediately.

**Fitkite®** is the innovation that revolutionises the pressure fixing assembly.

## INSTALLATION

### MANUAL POSITIONING

In the installation stage, for an error-free pre-arrangement, prepare the seat for the clutch part, then mark the hook positioning point using the position marker (code M).

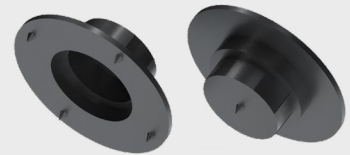
### CAD-CAM POSITIONING

Thanks to the DWG files supplied, the fixing points can be positioned on the panels in the design/production stage.

To safely activate the functioning when opening: press the central metal button on the **Fitkite®** body.

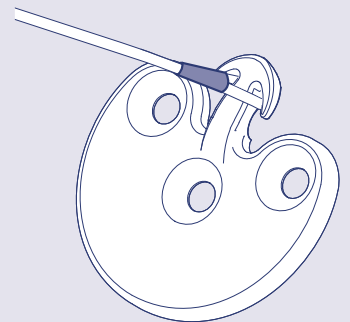
## ACCESSORIES

M  
**Marker**



## WARNING

Once the elements have been installed and the cable secured to the metal hook, bring the sleeve into contact, as shown in the figure.



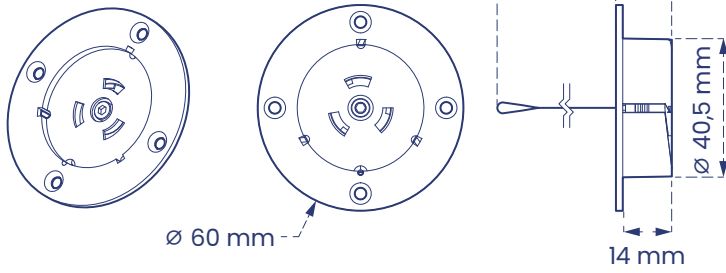
|                   |                                      |
|-------------------|--------------------------------------|
| <b>Complete</b>   | FITKITE                              |
| Material          | Plastic/Steel                        |
| Hole diameter     | Ø 41 mm                              |
| Hole Depth        | 16 mm                                |
| Screws to be used | Ø 3.5 mm countersunk flat head screw |

**FITLOCK**  
SYSTEM

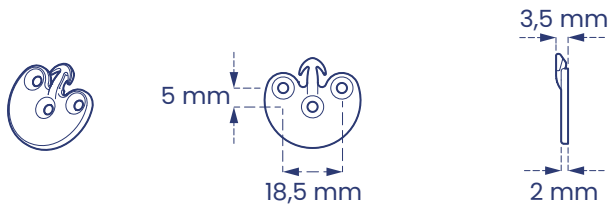
fitlock.it

## SIZE

M

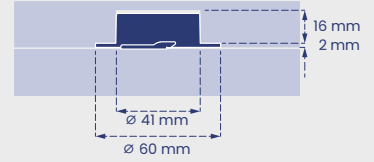
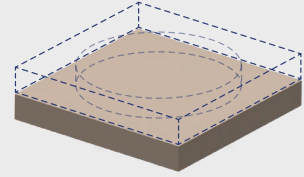


F

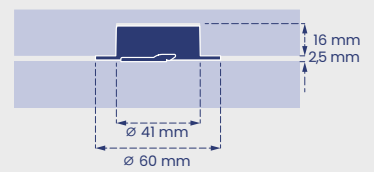
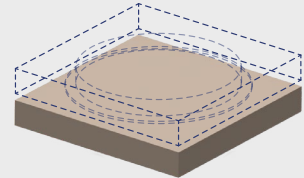


## ASSEMBLY MODE

### 0 mm Gap

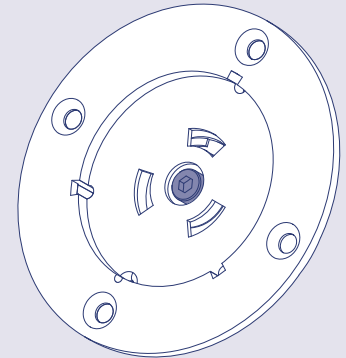


### 2,5 mm Gap



## WARNING

To safely activate the functioning when opening: press the central metal button on the **Fitkite®** body.



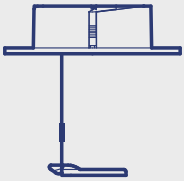
WATCH  
THE TUTORIAL



ITEM FITKITEFREE

# FITKITE FREE

IN PLASTIC/STEEL



exclusive  
**clutched**  
connection safe and practical  
**PATENTED SYSTEM**

## Benefits

- Inspections in complete safety
- Easy installation
- Suitable also for after-sale

## Markets



**Fitkite®** is the clutched fixing system that increases the benefits of **Fitlock** in the inspection stage.

Thanks to the adjustable clutch, **Fitkite®** allows to reduce and envisage the descending speed of the panel, thus allowing to uncouple the panel safely in case of inspection without the risk of an accidental fall. Furthermore, in the event of free accidental fall, it makes the inspection tasks particularly safe.

This version has been developed to be installed directly on the gratings, where there is no ceiling structural supports.

**Fitkite®** allows to remove the panel from its seat and leave it hanging, thus speeding inspections, maintenance and any kind of task by making the operator autonomous in movements.

**Fitkite®** allows the operator to carry out the tasks in complete safety and autonomy, avoiding the risk of injuries or any damage in case of unintentional release, as the clutch system would lock the panel immediately.

**Fitkite®** is the innovation that revolutionises the pressure fixing assembly.

## INSTALLATION

### MANUAL POSITIONING

In the installation stage, for an error-free pre-arrangement, prepare the seat for the clutch part, then mark the hook positioning point using the position marker (code M).

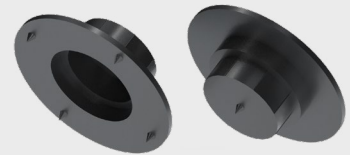
### CAD-CAM POSITIONING

Thanks to the DWG files supplied, the fixing points can be positioned on the panels in the design/production stage.

To safely activate the functioning when opening: press the central metal button on the **Fitkite®** body.

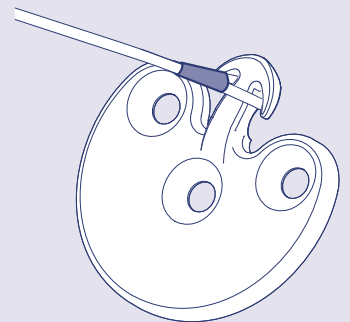
## ACCESSORIES

M  
Marker



## WARNING

Once the elements have been installed and the cable secured to the metal hook, bring the sleeve into contact, as shown in the figure.



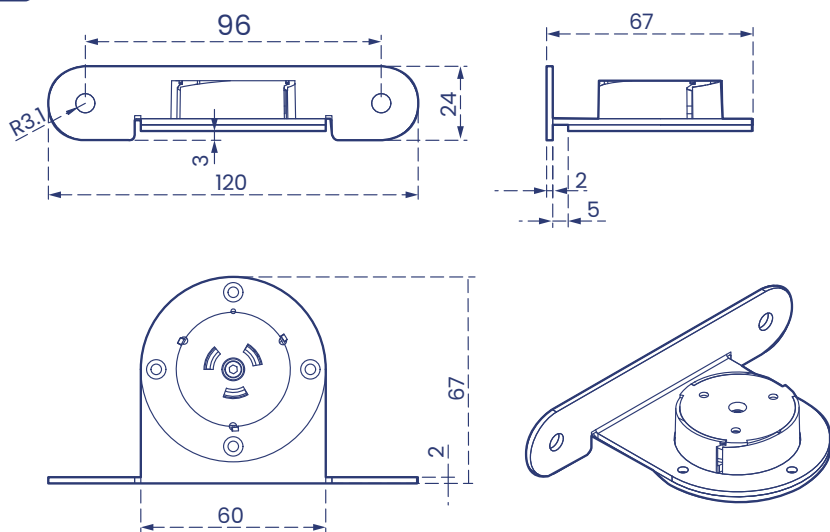
|                   |                                      |
|-------------------|--------------------------------------|
| Complete          | FITKITEFREE                          |
| Material          | Plastic/Steel                        |
| Hole diameter     | Ø 41 mm                              |
| Screws to be used | Ø 3.5 mm countersunk flat head screw |

**FITLOCK**  
SYSTEM

fitlock.it

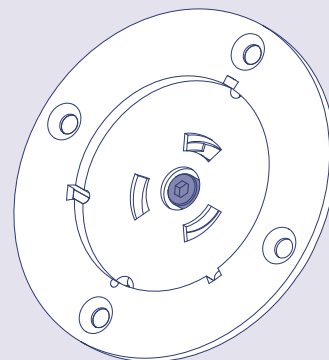
## SIZE

M

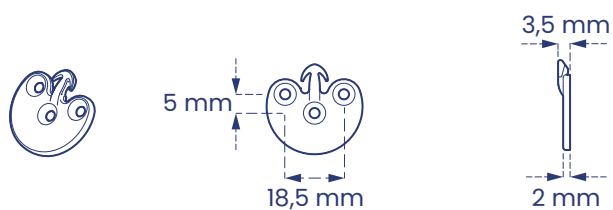


## WARNING

To safely activate the functioning when opening: press the central metal button on the **Fitkite® free** body.



F



WATCH  
THE TUTORIAL



ITEM CAI

# COUPLING FITTING PAIR

IN PLASTIC



## Benefits

- Easy installation
- Holes compatible with **Fitlock®**

## Markets



**CAI** is the modern "Bayonet", easy to install and that can be used along with/in replacement of **Fitlock®**.

This coupling fixing attachment offers benefits for quick assembly of panelling, where the panel must not be removed immediately or frequent inspections are not required.

**CAI** bayonet adopts the **Fitlock®** philosophy by proposing solutions suitable for making any procedure easier; for this reason it has been designed based on **Fitlock®** installation holes and therefore it can be used in replacement of/in alternation with **Fitlock®** itself.

**Fitlock®** is the innovation that revolutionises the pressure fixing assembly.

## INSTALLATION

### MANUAL POSITIONING

During installation, thanks to the symmetrical position of the fastening holes, the positioning of the two couplings is easy, quick and accurate.

### CAD-CAM POSITIONING

Thanks to the DWG files supplied, the fixing points can be positioned on the panels in the design/production stage.

|                   |  |
|-------------------|--|
| <b>4 CAI 4</b>    | coupling fitting pair 4 MM THICKNESS             |
| <b>6 CAI 6</b>    | coupling fitting pair 6 MM THICKNESS             |
| Material          | Acetal Resin                                     |
| Full weight       | 25 g   |
| Screws to be used | ..... ø 4.5 mm countersunk flat head screw ..... |

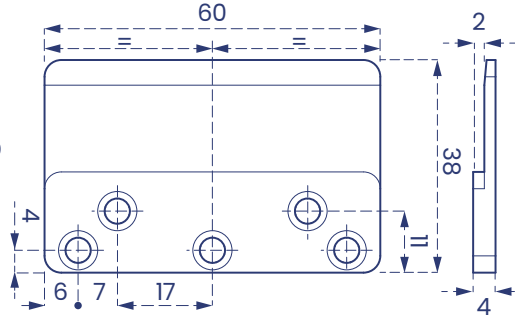
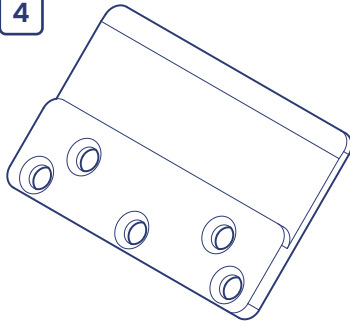
**FITLOCK**  
SYSTEM

fitlock.it



## SIZE

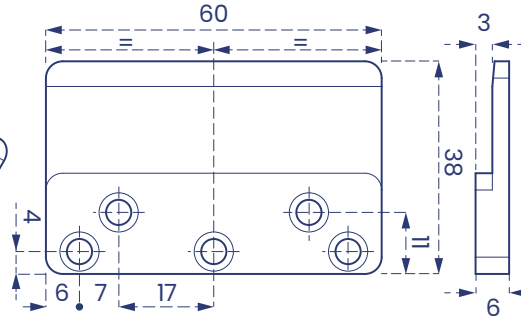
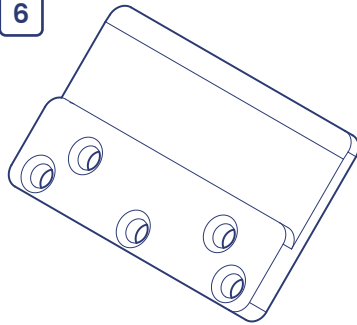
4



## ASSEMBLY MODE



6



WATCH  
THE TUTORIAL



ITEM PQ

# SQUARE PLATE

IN PLASTIC



## Benefits

- Easy installation
- Holes compatible with **Fitlock®**

## Markets



**PQ** is the quick fixed fixing that can be used along with/in replacement of **Fitlock®**.

This fixing accessory by means of screws allows to keep the alignment between surfaces where **Fitlock®** cannot be used and it is not necessary to remove the panel immediately.

This coupling fixing attachment offers benefits for quick assembly of panelling, where the panel must not be removed immediately or frequent inspections are not required.

**PQ** adopts the **Fitlock®** philosophy by offering solutions suitable for making any setting-up procedures easier.

## INSTALLATION

### MANUAL POSITIONING

Screw the item close to the edge of the panel to be fixed, by leaving the half out and using the alignments between surfaces.

### CAD-CAM POSITIONING

Thanks to the DWG files supplied, the fixing points can be positioned on the panels in the design/production stage.

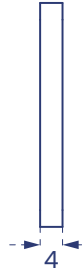
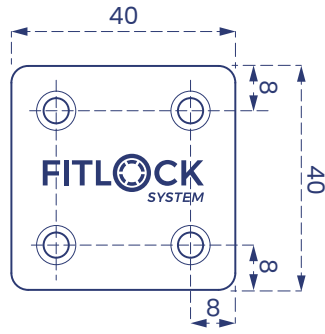
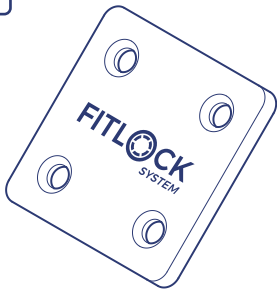
|                   |  |
|-------------------|--|
| <b>4</b> PQ 4     | Square plate 4 MM THICKNESS                      |
| <b>6</b> PQ 6     | Square plate 6 MM THICKNESS                      |
| Material          | Acetal Resin                                     |
| Full weight       | 11 g   |
| Screws to be used | ..... ø 4.5 mm countersunk flat head screw ..... |

**FITLOCK**  
SYSTEM

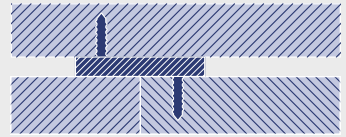
fitlock.it

## SIZE

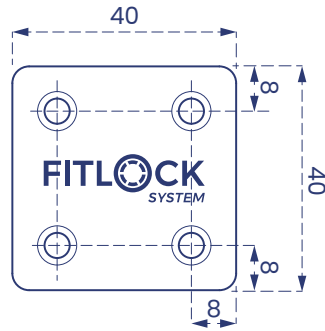
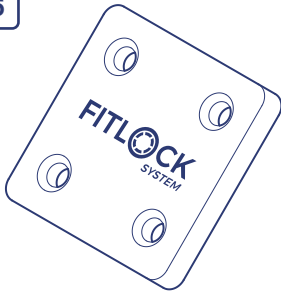
4



## ASSEMBLY MODE



6



WATCH  
THE TUTORIAL



ITEM CAIL

# COUPLING FITTING PAIR ALLOY

IN ZAMAK



## Benefits

- Non-flammable
- Easy installation
- Holes compatible with **Fitlock®**

## Markets



**CAIL** is the modern "Bayonet", easy to install and that can be used along with/in replacement of **Fitlock®**.

**CAIL** has been designed for environments in which the use of non-flammable materials is required.

This coupling fixing attachment offers benefits for quick assembly of panelling, where the panel must not be removed immediately or frequent inspections are not required.

**CAIL** bayonet adopts the **Fitlock®** philosophy by proposing solutions suitable for making any procedure easier; for this reason it has been designed based on **Fitlock®** installation holes and therefore it can be used in replacement of/in alternation with **Fitlock®** itself.

Fitlock® is the innovation that revolutionises the pressure fixing assembly.

## INSTALLATION

### MANUAL POSITIONING

During installation, thanks to the symmetrical position of the fastening holes, the positioning of the two couplings is easy, quick and accurate.

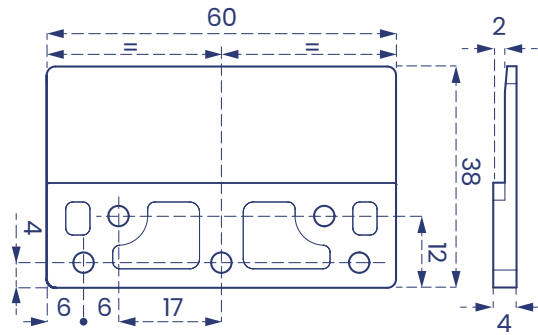
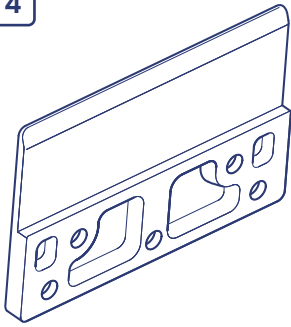
### CAD-CAM POSITIONING

Thanks to the DWG files supplied, the fixing points can be positioned on the panels in the design/production stage.

|                        |  |
|------------------------|--|
| <b>4</b> <b>CAIL 4</b> | coupling fitting pair 4 MM THICKNESS             |
| <b>6</b> <b>CAIL 6</b> | coupling fitting pair 6 MM THICKNESS             |
| Material               | Zamak  |
| Full weight            | 25 g   |
| Screws to be used      | ..... ø 4.5 mm countersunk flat head screw ..... |

## SIZE

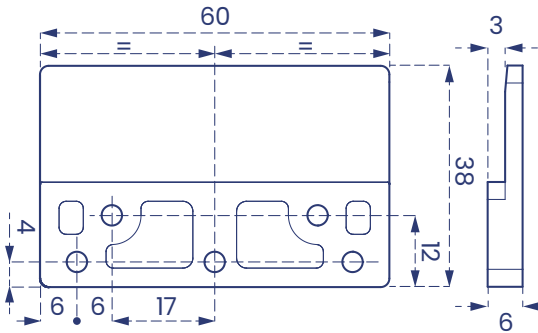
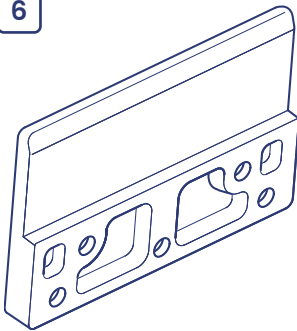
4



## ASSEMBLY MODE



6



WATCH  
THE TUTORIAL



ITEM PQL

# SQUARE PLATE ALLOY

IN ZAMAK



## Benefits

- Non-flammable
- Easy installation
- Holes compatible with **Fitlock®**

## Markets



**PQL** is the quick fixed fixing that can be used along with/in replacement of **Fitlock®**.

**PQL** has been designed for environments in which the use of non-flammable materials is required.

This fixing accessory by means of screws allows to keep the alignment between surfaces where **Fitlock®** cannot be used and it is not necessary to remove the panel immediately.

This coupling fixing attachment offers benefits for quick assembly of panelling, where the panel must not be removed immediately or frequent inspections are not required.

**PQL** adopts the **Fitlock®** philosophy by offering solutions suitable for making any setting-up procedures easier.

## INSTALLATION

### MANUAL POSITIONING

Screw the item close to the edge of the panel to be fixed, by leaving the half out and using the alignments between surfaces.

### CAD-CAM POSITIONING

Thanks to the DWG files supplied, the fixing points can be positioned on the panels in the design/production stage.

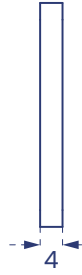
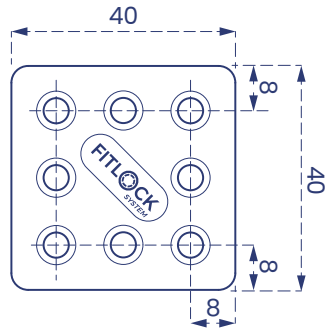
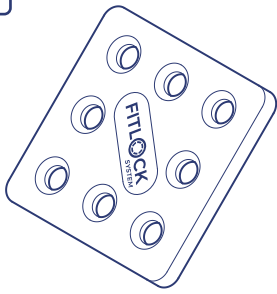
|                   |  |
|-------------------|--|
| <b>4</b> PQL 4    | Square plate 4 MM THICKNESS                      |
| <b>6</b> PQL 6    | Square plate 6 MM THICKNESS                      |
| Material          | Zamak  |
| Full weight       | 11 g   |
| Screws to be used | ..... ø 4.5 mm countersunk flat head screw ..... |

**FITLOCK**  
SYSTEM

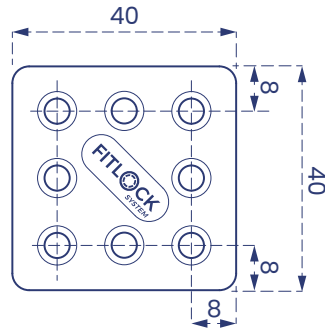
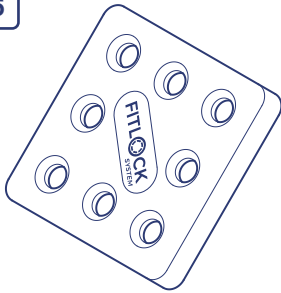
fitlock.it

## SIZE

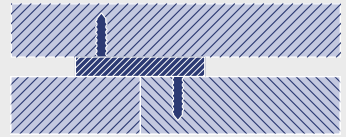
4



6



## ASSEMBLY MODE



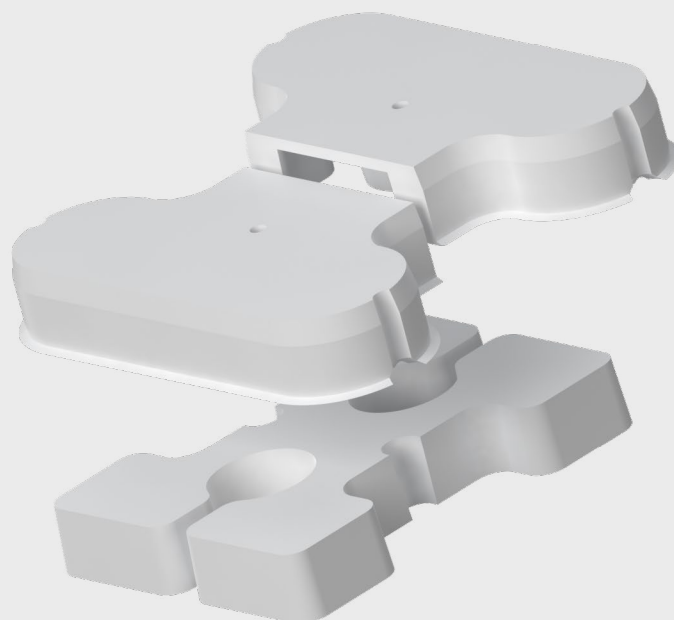
WATCH  
THE TUTORIAL



ART. FBB

# FITBLOCK

IN LOADED NYLON



## Benefits

- Ease of installation
- Robust assembly
- Versatile

## Markets



**Fitblock®** is a fastening system for coplanar and perpendicular panels, which offers the advantage of disassembly and reassembly in a fast, precise and robust way.

Designed for the modular management of decks and floor templates, so as to have a precise technical surface.

Easy to assemble, remove and reposition, Fitblock facilitates the design and construction of technical surfaces.

**Fitblock®**, is the innovation that revolutionizes the management of floor boards and templates.

## INSTALLATION

### MANUAL POSITIONING

For the coplanar (FBB) and perpendicular (FBB90) version, identify the assembly position by presenting the two panels and positioning the FBB to shape the section to be milled.

Carry out the milling as per the technical drawing on the back.

Install the bases on both panels, and by means of the junction plug, couple them.

### CAD-CAM POSITIONING

Thanks to the DWG files supplied, the fixing points can be positioned on the panels in the design/production stage.

| Complete          | FBB                                      | FBB90        |
|-------------------|--|--------------|
| Material          | Loaded Nylon                             | Loaded Nylon |
| Screws to be used | Testa svasata piana $\varnothing$ 3,5 mm |              |
| Full weight       | 28 g                                     | 26,5 g       |

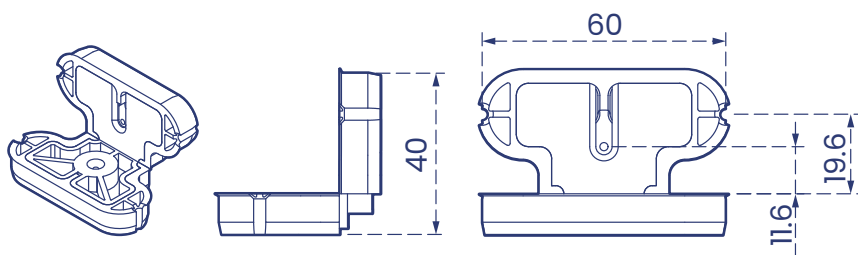
**FITLOCK**  
SYSTEM

[fitlock.it](http://fitlock.it)

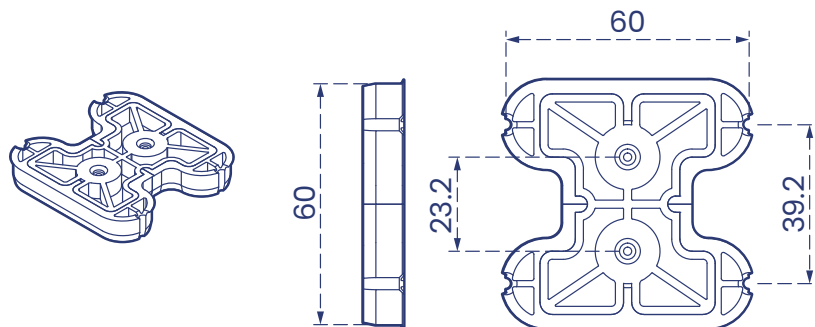


## SIZE

### FBB90

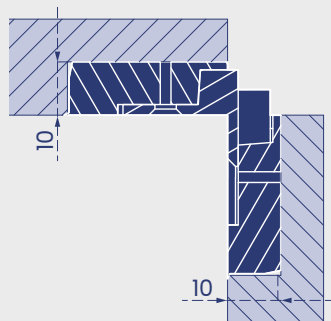


### FBB

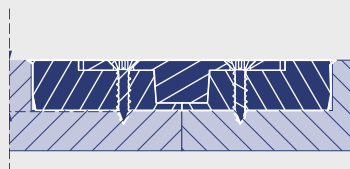


## ASSEMBLY MODE

### FBB90



### FBB



DISCOVER  
MORE



ART. FBLB

# FITBLOCK ALLOY

IN ZINC ALLOY



## Benefits

- Adjustable
- Robust assembly
- Versatile

## Markets



**Fitblock®** is a fastening system for coplanar and perpendicular panels, which offers the advantage of disassembly and reassembly in a fast, precise and robust way.

Designed for the modular management of decks and floor templates, so as to have a precise technical surface.

This version allows, by means of the dedicated screws, to adjust the coupling distance between the panels.

Easy to assemble, remove and reposition, Fitblock facilitates the design and construction of technical surfaces.

**Fitblock®**, is the innovation that revolutionizes the management of floor boards and templates.

## INSTALLATION

### MANUAL POSITIONING

Identify the assembly position by presenting the two panels and positioning the FBB to shape the section to be milled.

Carry out the milling as per the technical drawing on the back.

Install the bases on both panels, and by means of the junction plug, couple them.

### CAD-CAM POSITIONING

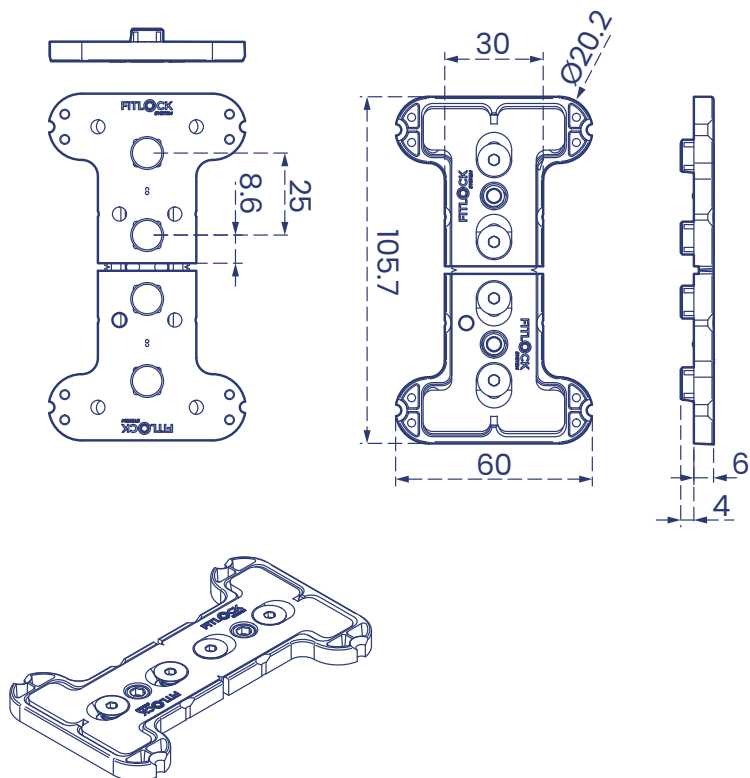
Thanks to the DWG files supplied, the fixing points can be positioned on the panels in the design/production stage.

|                   |                                    |
|-------------------|------------------------------------|
| <b>Complete</b>   | FBLB                               |
| Material          | Zinc alloy                         |
| Screws to be used | Ø 3 mm countersunk flat head screw |
| Full weight       | 127 g                              |

**FITLOCK**  
SYSTEM

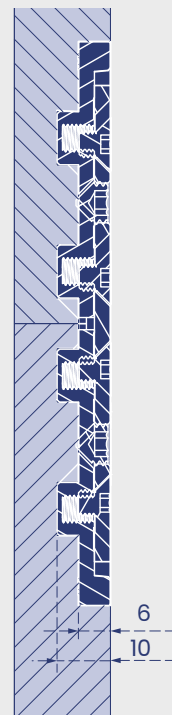
fitlock.it

## SIZE



## ASSEMBLY MODE

### FBLB



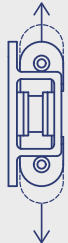
DISCOVER  
MORE



ART. FLKU

# FITLOCK KU

IN ACETAL RESIN

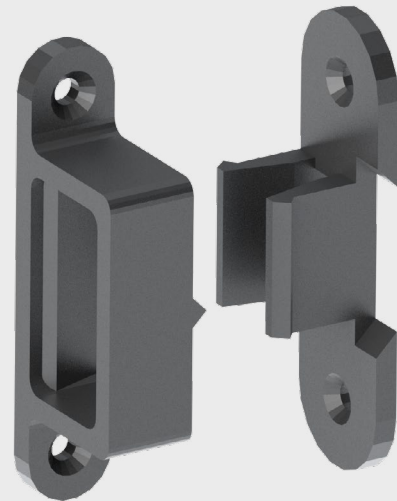


exclusive displacement of

**3 mm**

in one direction

**PATENTED SYSTEM**



## Benefits

- Easy installation
- Precise and quick assembly
- Adjustable

## Markets



**Fitlock® KU** is a pressure fixing system which offers unique benefits for paneling for furniture bottoms assembly.

Designed to facilitate the assembly and disassembly of the furniture bottoms. Thanks to the 3mm adjustment on one side, it guarantees perfect alignment of the internal cover of the cabinet.

**Fitlock® KU** is the innovation that revolutionizes furniture assembly.

## INSTALLATION

### MANUAL POSITIONING

Locate the side on which to make any adjustments.

Position the female on the compartment at the desired depth, paying attention to the planar alignment of the **Fitlock® KU**.

Present the bottom on the females, so as to mark the position of the coupling, and establish the fastening of the male.

### CAD-CAM POSITIONING

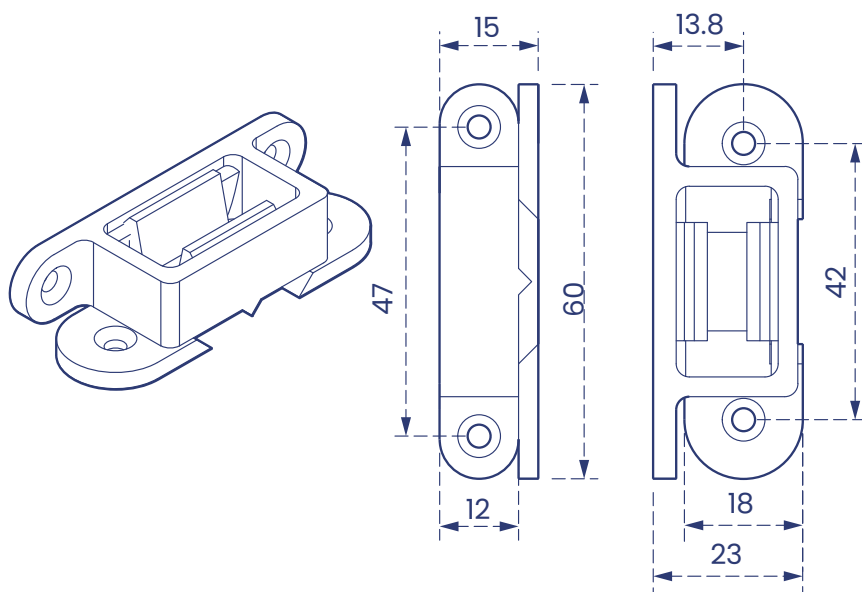
Thanks to the DWG files supplied, the fixing points can be positioned on the panels in the design/production stage.

| Complete                          | FLKU                                 |
|-----------------------------------|--------------------------------------|
| Normal force required for release | N 39 ±10%                            |
| Material                          | Acetal resin                         |
| Full weight                       | 32 g                                 |
| Screws to be used                 | ∅ 3.5 mm countersunk flat head screw |

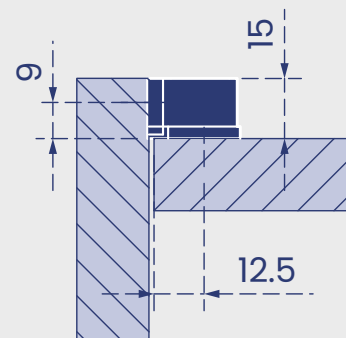
**FITLOCK**  
SYSTEM

fitlock.it

## SIZE



## ASSEMBLY MODE



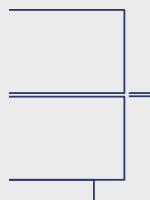
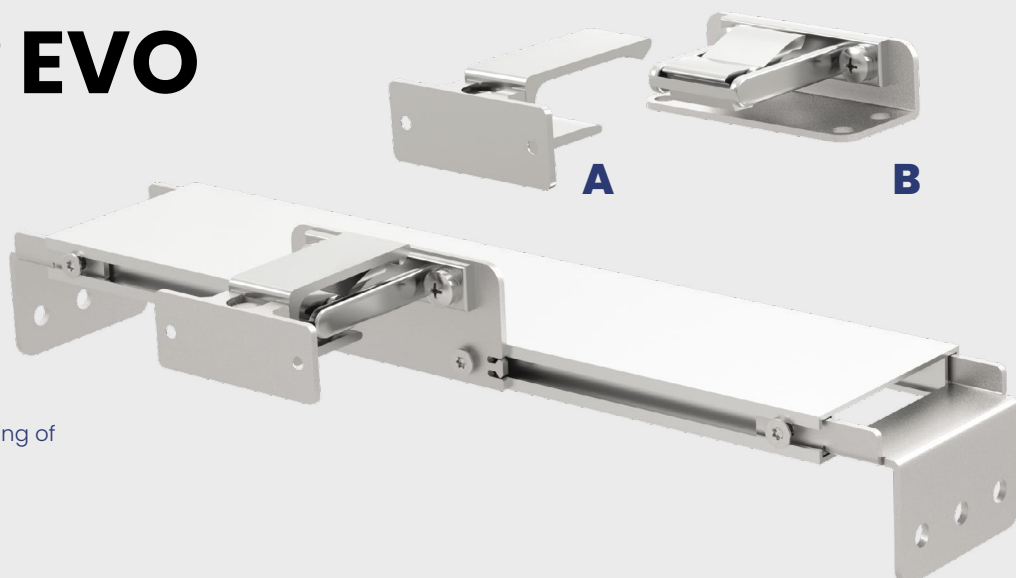
DISCOVER  
MORE



ITEM FJE

# FITJUMP® EVO

IN ALLOY



exclusive minimum lifting of

**0.5 mm**

to unlock drawers  
**PATENTED SYSTEM**

## Benefits

- Invisible
- Easy use
- Non-invasive aftersales installation

## Markets



**Fitjump® EVO** is the innovative system that replaces the traditional *latch* usually used in the nautical and caravan field, improving and making easier the block of the drawers and facilitating their opening.

This meliorative system does not affect the aesthetics and the use of the drawers; indeed, the lifting by just 0.5mm **Fitjump® EVO** unlocks the drawer and allows its opening.

The system is available in two versions, **Fitjump® EVO** is installed where a surface is present underneath the drawer, **Fitjump® EVO suspended** equipped with an apposite aluminium bar and fitted when no surface is present underneath the drawer.

When perfection is required, the **Fitjump® EVO** system is the correct solution.

### INSTALLATION OF FITJUMP® EVO

Item **A** (supplied with adjustment screw) must be mounted in the bottom inner side of the drawer front. Item **B** must be installed on the surface underneath the drawer via screws suitable for the support material. Both items must be placed and installed in the centre line of the drawer. (Please see assembly diagram on next page).

### INSTALLATION OF FITJUMP® EVO SUSPENDED

Item **A** (supplied with adjustment screw) must be mounted in the bottom inner side of the drawer front. Item **B** is fitted on the dedicated bar supplied separately equipped with side fixing brackets to be previously installed on the cabinet sides. (Please see assembly diagram on next page).

### NOTE

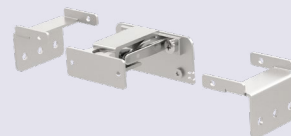
Fitjump® Evo and Fitjump® Evo Suspended can be supplied in 6-piece pack with the following codes.

**x6**



item **B6FJE**

**x6**



item **B6FJES**

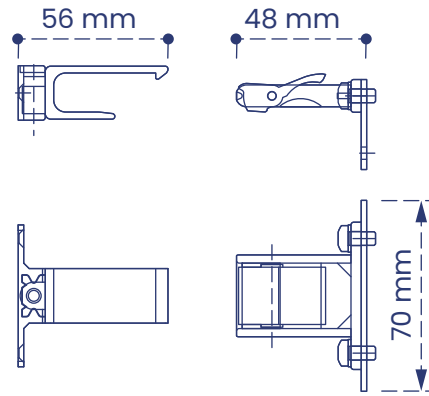
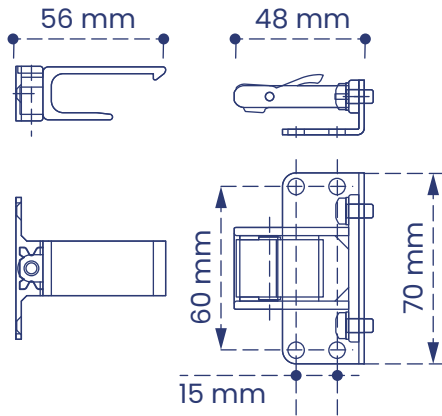
Fitjump® Evo Suspended requires the support of the dedicated bar, supplied in 1.2 m length, so as to be cut at the necessary size.

Item **FGB**



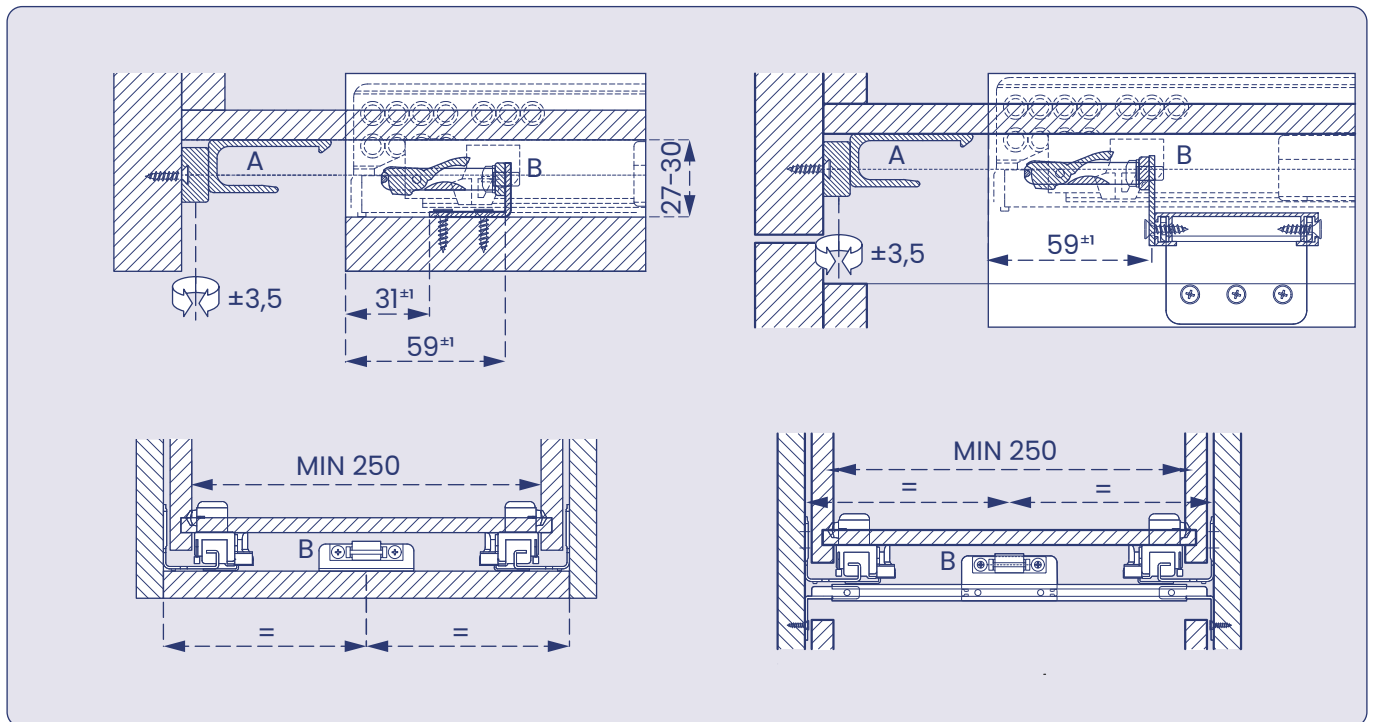
| Fitjump® evo                            | Fitjump® evo | Fitjump® evo suspended  |
|---|--------------|-------------------------|
| Item                                    | <b>FJE</b>   | <b>FJES</b>             |
| Bar                                     | -            | FJB                     |
| Necessary gap                           | 1 mm         | 1 mm                    |
| Material                                | Alloy        | Alloy / aluminium       |
| Screws                                  | ∅ 3.5 mm     | ∅ 3.5 mm                |
| Full weight                             | 170 g        | 155 g + 100 g + 360 g/m |
| Bracket set weight of suspended version | -            | 100 g                   |
| Bar weight of suspended version         | -            | 360 g/m                 |

**MEASURES AND OVERALL SIZES FITJUMP® EVO MEASURES AND OV.SIZES FITJUMP® EVO SUSPENDED**



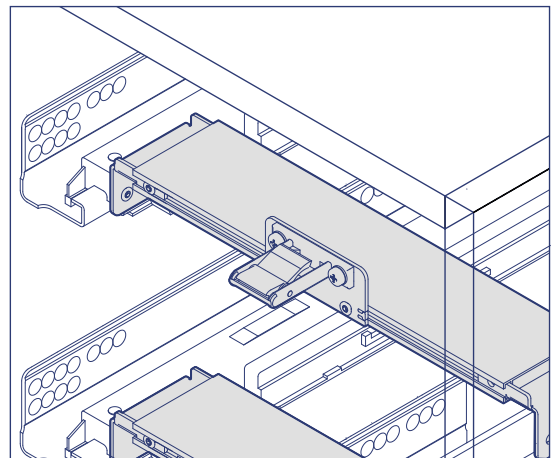
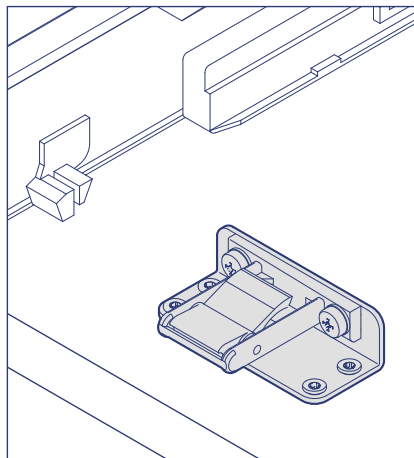
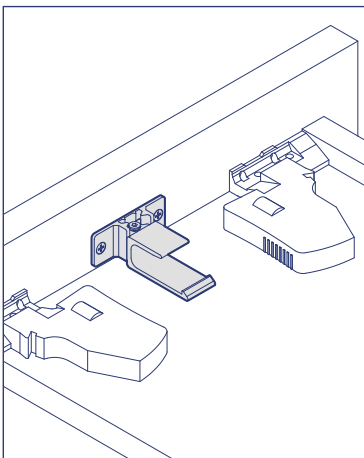
**INSTALLATION OF FITJUMP® EVO**

**INSTALLATION OF FITJUMP® EVO SUSPENDED**



**FITJUMP® EVO**

**FITJUMP® EVO SUSPENDED**

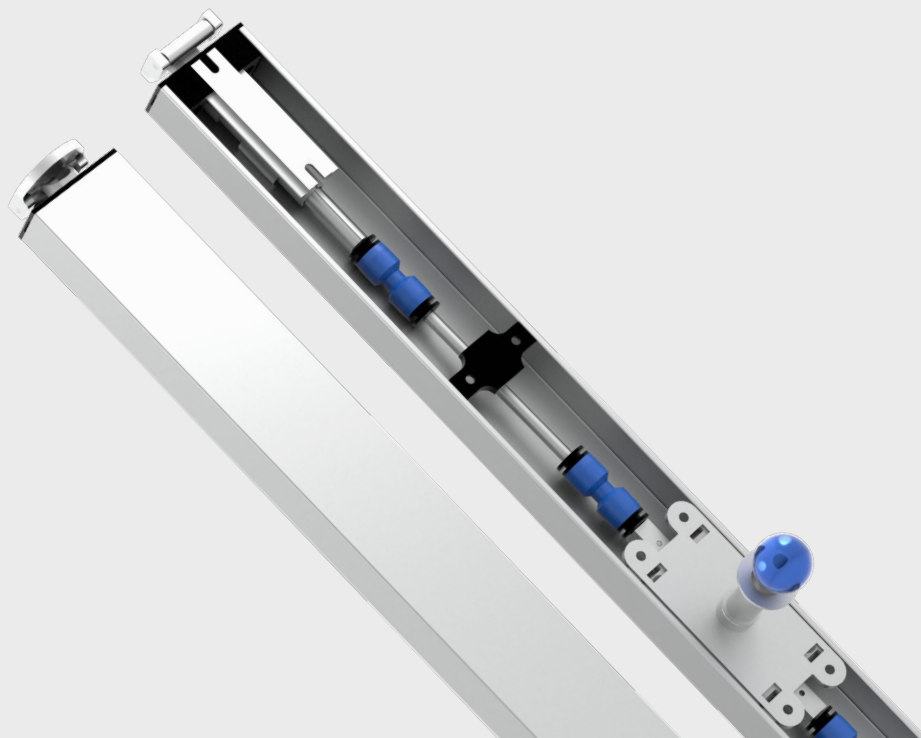


**NOTICE:** The above information and provisions, although reflecting our best experience, shall be deemed as merely indicative and shall be confirmed by exhaustive practical applications. Therefore, before using the product, those who intend to use it shall determine whether it is suitable for its intended use and anyway shall undertake all responsibility resulting from its use.

ITEM FS

# FITSPIN

IN ALUMINIUM



exclusive opening with  
**45°**  
rotation and easy pressure  
tightening

## Benefits

- Easy closing of doors
- Easy opening of doors
- Adjustable post-installation gap

## Markets



From the innovative philosophy of **Daureka®**, the exclusive **Fitspin®** system for door tightening is designed to ensure:

- Easy closing with little effort
- Opening with just 45° rotation
- 20 mm post-assembly adjustment.

The highly customizable kit ensures the utmost accuracy in each type of setting-up in functional and aesthetic terms.

**Fitspin® makes perfection easier.**

## INSTALLATION

Select the position in which the door knob is to be positioned and that will define the composition of the rod within the range limits of 350 mm-2500 mm.

Make a  $\varnothing$  12 mm hole on the door nearby the position chosen. From the inner side of the door, place the mechanism holding clip via 4 screws ( $\varnothing$  3 mm countersunk flat head screw).

In the door end, along the vertical axis, place the two pin holding guides in plastic at a distance of 10 mm from the inner compartment (see drawing).

To define the rod length **LA**, follow the formula **LA=B-148 - R**.

Insert the knob holding pin with the M4 set screw protruding from the outer side of the door.

Place the lock mechanism with the clip system fixed to the door

**Please note:** the assembly direction depends on the required rotation direction.

Insert the pins into the corresponding guides and secure the whole unit via the rods and the quick couplings.

Fit the two roller latches along the lock axis so that they are flush with the compartment panels.

Check the proper operation of the lock, that should be hooked with the sole strength of hinges. If this is not the case, act on the pin protrusion via the screw located inside with a 3 mm Allen key.

After checking the proper operation of the system, proceed with cut and installation of the cover and the closing caps.

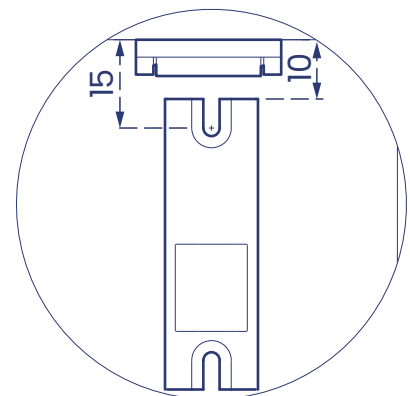
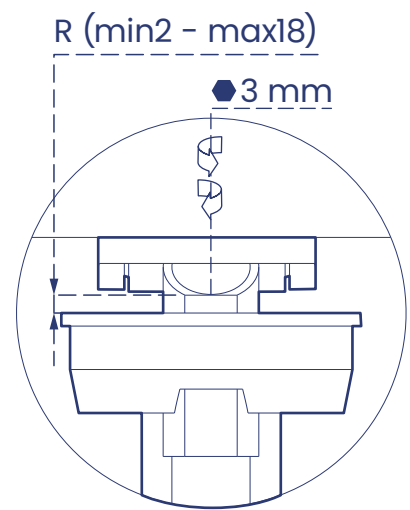
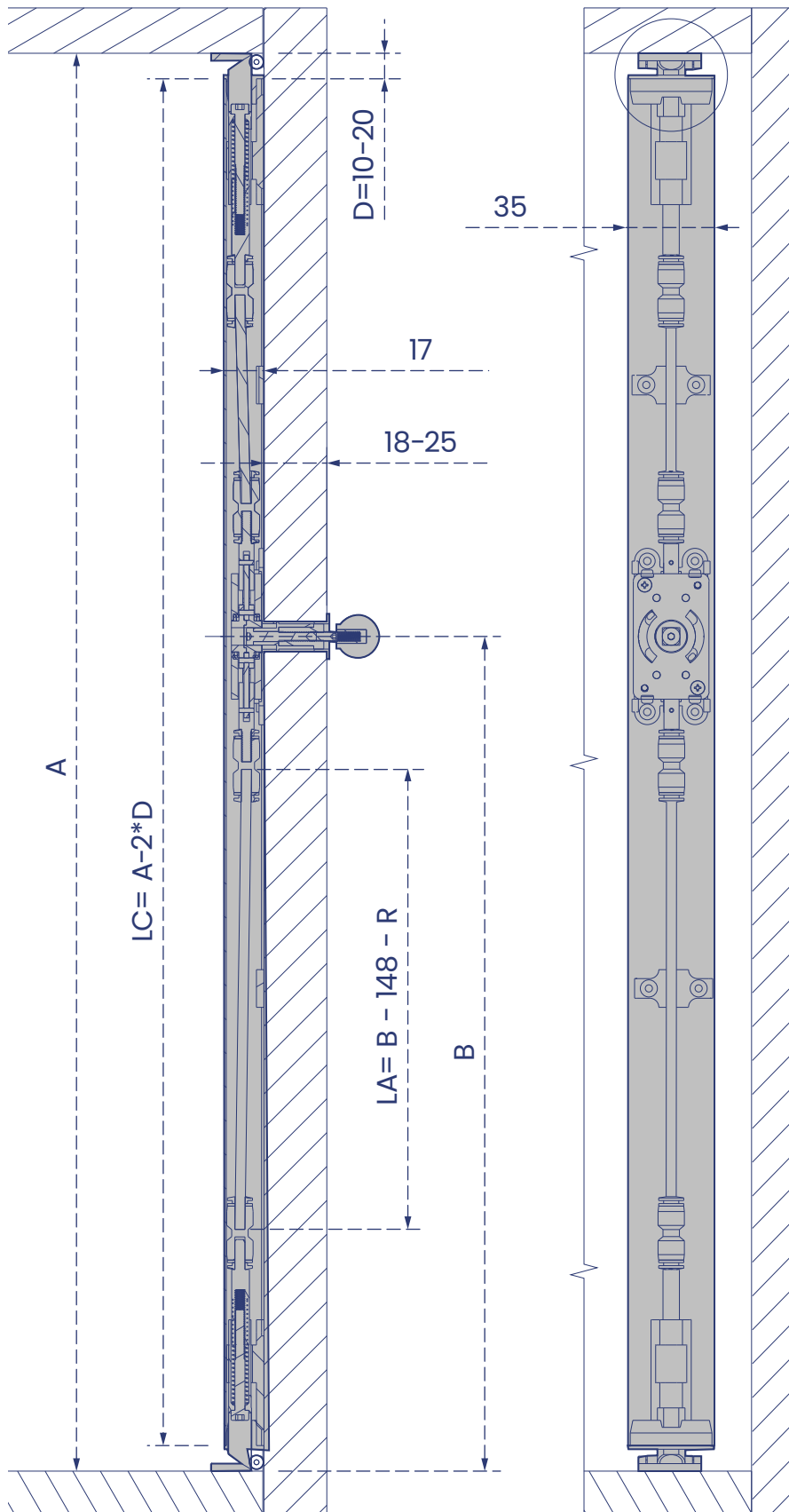
The adjustability of pins allows to carry out a fine-tuning also in the post-assembly stage.

|  |  |
|--|--|
| Lock kit for door with 2 fixing points | FS   |
| Cover in matt aluminium FS - L 250 cm  | FSPA   |
| $\varnothing$ 4 mm rod - L 200 cm      | FSA4   |
| Material                               | Aluminium/Nylon                                |
| Lock kit weight                        | 190 g  |
| Cover weight                           | 177 g/m  |
| $\varnothing$ 4 mm rod weight          | 39 g/m   |
| Screws to be used                      | $\varnothing$ 3 mm countersunk flat head screw |

**FITLOCK**  
SYSTEM

fitlock.it





Quote in millimetri  
Dimensions in millimeters



WATCH  
THE TUTORIAL

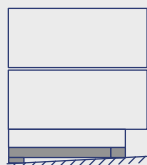


ITEM FITLEVEL

# FITLEVEL

IN ALUMINIUM

30<>60  
cm



exclusive leveling  
**20 mm**  
PATENTED SYSTEM

## Benefits

- Sturdy
- Adjustable
- Invisible

## Markets



From the innovative philosophy of **Daureka®**, the exclusive **Fitlevel®** system is designed for a perfect leveling of furniture or structures.

The highly customizable kit containing adjustable bases and specific profiles ensures the utmost accuracy in each type of setting-up.

It is possible to carry out the adjustment in each moment and does not require visible holes on the cabinet base.

Thanks to a special clip, the covering socket can be fitted directly to the fitlevel bar.

**Fitlevel® makes perfection easier.**

Fitlevel is supplied with standard depth of 30-40-50-60 cm with the possibility of requesting customized sizes to better adapt to the requirements of your projects. The width is not defined instead, but 2500 mm long bars are supplied to be cut according to your requirement.

The minimum height of the system is 50 mm that can be changed via apposite overlapping spacers of 10-25-50 mm.

## INSTALLATION

Fitting FITLEVEL underneath the cabinet base.

Let the feet at the fitlevel end match with the structural sides of the cabinet

Place the cabinet in the required position.

Adjust Fitlevel using the apposite adjusters on the front side of the base to obtain the perfect leveling, re recommend the use of an electric screwdriver with clutch set at mid-stroke.

The particular reduction of the adjusting screws allows an adjustment of a tenth of millimetre to obtain a perfect alignment.

## ACCESSORIES

CRP

**Foot adjustment flexible spanner 1/4" x 175 mm**



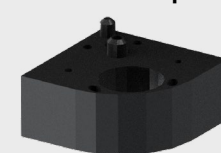
S10PM

**10 mm foot spacer**



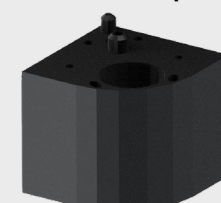
S25PM

**25 mm foot spacer**



S50PM

**50 mm foot spacer**

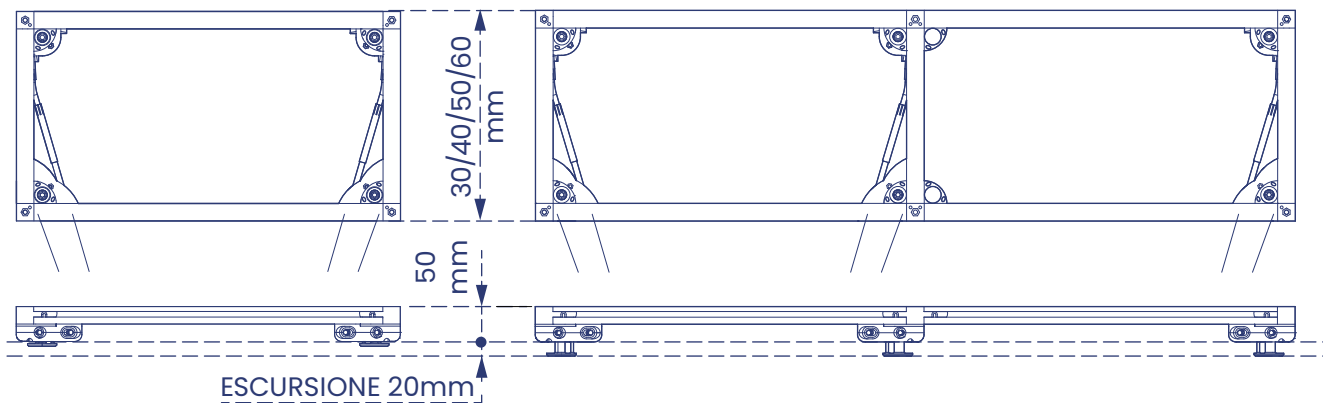


| Fitlevel                                   | Fitlevel 30 | Fitlevel 40 | Fitlevel 50 | Fitlevel 60 |
|--|-------------|-------------|-------------|-------------|
| <b>Side adjustable base (right + left)</b> | BR30H50     | BR40H50     | BR50H50     | BR60H50     |
| <b>Central adjustable base</b>             | BR30CH50    | BR40CH50    | BR50CH50    | BR60CH50    |
| <b>Bar 25x25x2500 (mm)</b>                 | FGBQ        |             |             |             |
| Side adjustable base weight                | 1.552 g     | 1.668 g     | 1.770 g     | 1.902 g     |
| Central adjustable base weight             | 820 g       | 880 g       | 934 g       | 994 g       |
| Bar weight                                 | 486 g/m     |             |             |             |

**FITLOCK**  
SYSTEM

fitlock.it

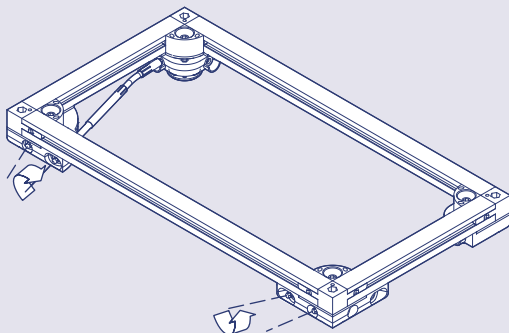
## MEASUREMENTS AND OVERALL DIMENSIONS



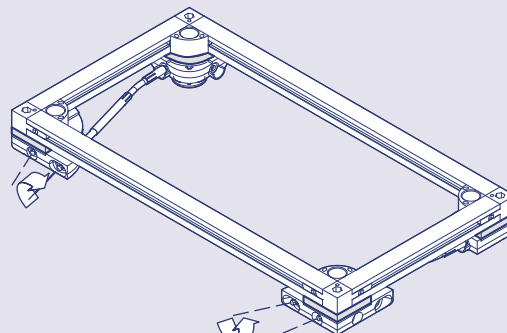
## SPACERS

Minimum vertical base space 50 mm • 20 mm adjustment range

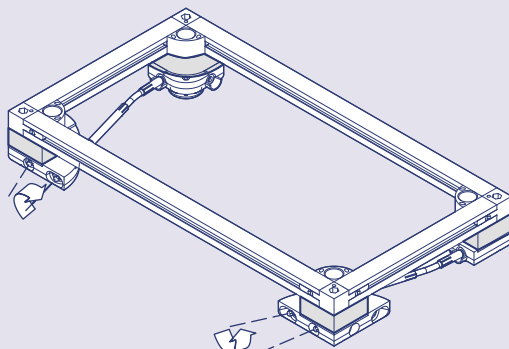
**SHIMMING 0 mm**



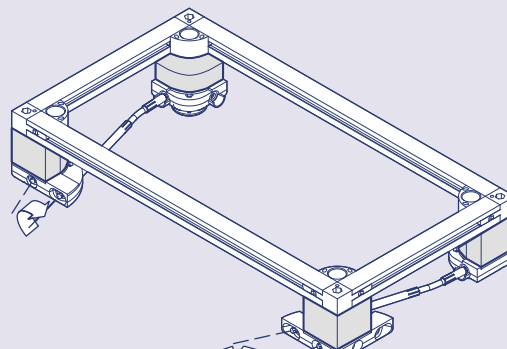
**SHIMMING 10 mm**



**SHIMMING 25 mm**



**SHIMMING 50 mm**



**NOTICE:** The above information and provisions, although reflecting our best experience, shall be deemed as merely indicative and shall be confirmed by exhaustive practical applications. Therefore, before using the product, those who intend to use it shall determine whether it is suitable for its intended use and anyway shall undertake all responsibility resulting from its use.

ITEM FCSAV

# FITCLOCK

IN PLASTIC

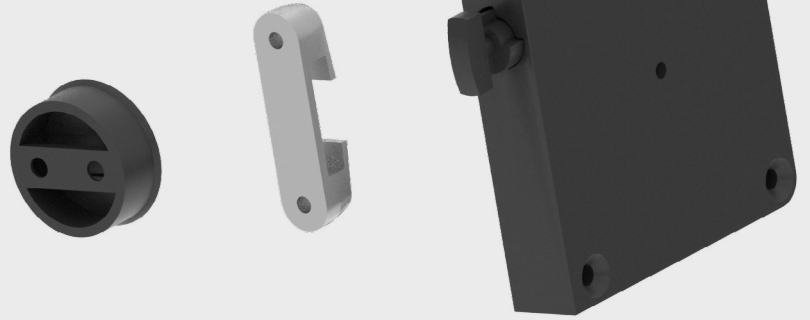


exclusive minimum gap of

**1 mm**

to unlock drawers

**PATENTED SYSTEM**



## Benefits

- Precise
- Intuitive use
- Non-invasive aftersales installation

## Markets



**Fitlock®** is the innovative system that replaces the traditional *push/open one* usually used in the nautical and caravan field, improves and makes easier the block of the doors, and facilitates their opening.

This meliorative system does not affect the aesthetics and the use of the doors; indeed, with its operation range of just **0.7 mm**, **Fitlock®** unlocks the door and allows its opening.

The system is also available in two versions, **Fitlock®** is applied where no post-assembly adjustment is required, **Adjustable Fitlock® (FCSAVR)** equipped with apposite adjusting element allows coupling adjustment even after assembly.

When perfection is required, the **Fitlock®** system is the correct lock.

## INSTALLATION OF FITCLOCK

Identify the perimeter position suitable for door tightening, both vertical and horizontal, and with the aid of the template (MFCE or MFCI) place the **Fitlock®** body in such a way as to follow the cabinet front deviations as per technical sheet on the back.

After having identified the suitable position, the template will allow to tighten **Fitlock®** with screws Ø2,4×25.

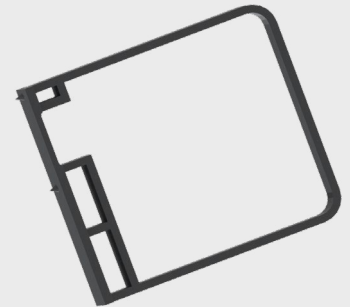
With the template still in place, mark the point in which the fitting must be fixed on the door and, given the two fitting solutions, proceed as follows:

- **External:** with reference to the two marking points of the template, fix the fitting with two Ø2.2×20 screws
- **Recessed:** make the Ø20 mm seat and fix the fitting with two Ø3×12 screws.

## ACCESSORIES

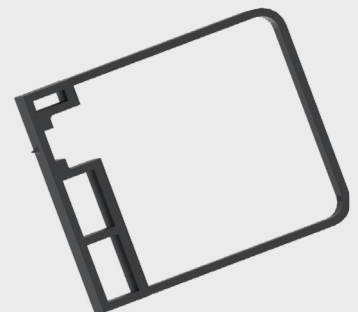
MFCE

**Marking template for external fitting**



MFCI

**Marking template for recessed fitting**

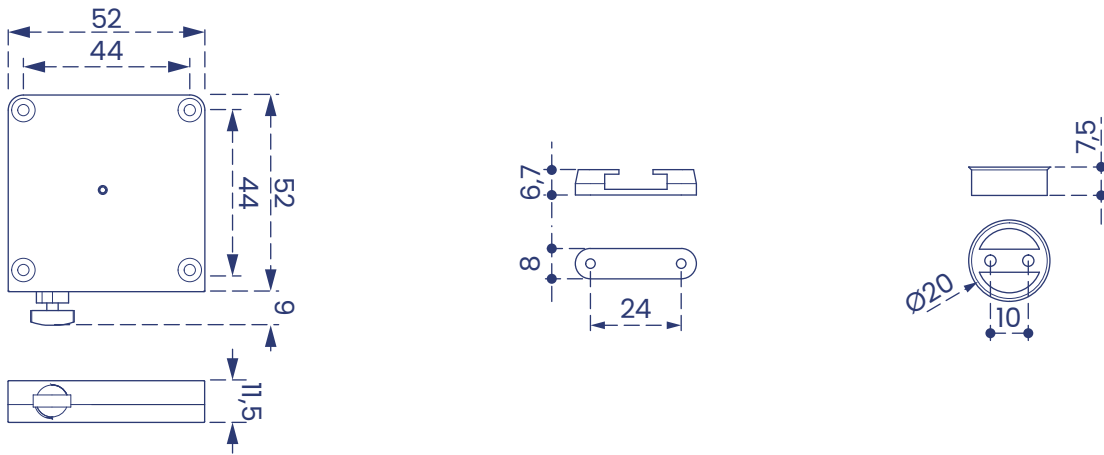


|                   |  |
|-------------------|--|
| <b>FCSAV</b>      | Push/open tightening system for doors            |
| <b>B6FCSAV</b>    | 6-unit box <b>FCSAV</b> + marker                 |
| Material          | Plastic  |
| Full weight       | 33 g   |
| Screws to be used | Countersunk flat head Ø2.4×25 / Ø3×12 / Ø2.2×20. |

**FITLOCK**  
SYSTEM

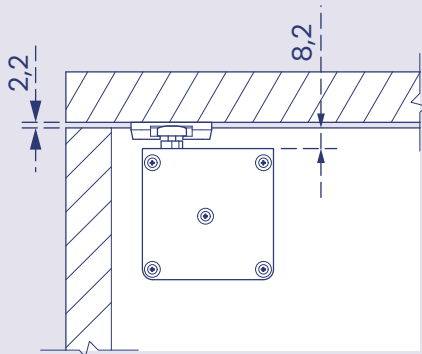
fitlock.it

## MEASUREMENTS AND OVERALL DIMENSIONS FITCLOCK

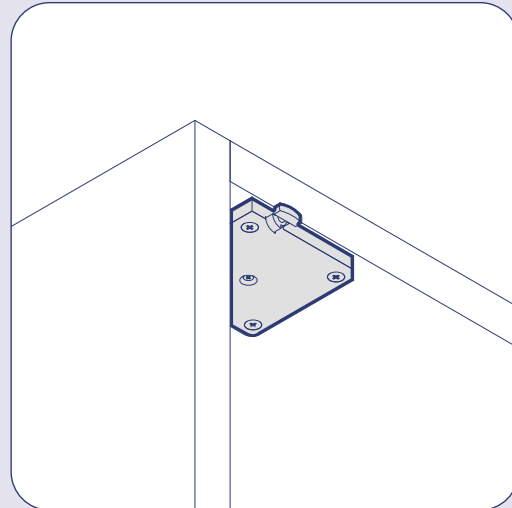
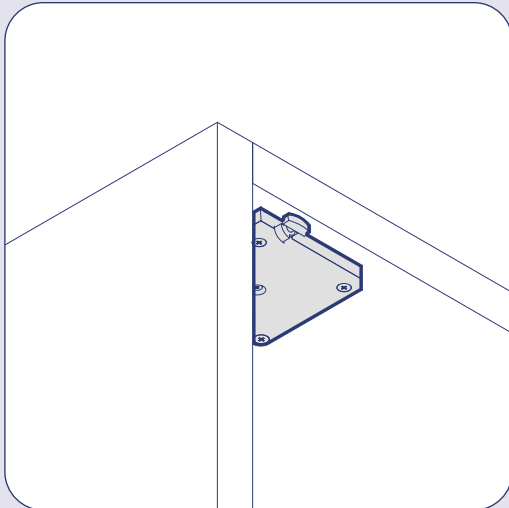
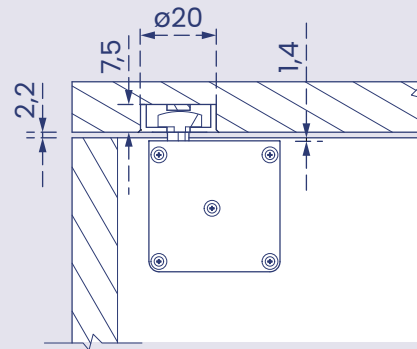


## FITCLOCK ASSEMBLY

### EXTERNAL FITTING



### RECESSED FITTING



ITEM FCSAVR

# ADJUSTABLE FITCLOCK

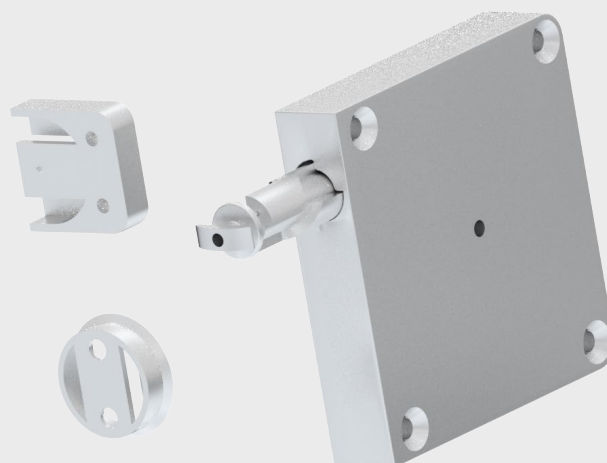
IN ALLOY



exclusive minimum gap of

**1 mm**

to unlock drawers  
**PATENTED SYSTEM**



## Benefits

- Adjustable
- Easy simplified
- Non-invasive aftersales installation

## Markets



**Adjustable Fitclock®** is the innovative system that replaces the traditional *push/open one* usually used in the nautical and caravan field, improves and makes easier the block of the doors, and facilitates their opening.

This meliorative system does not affect the aesthetics and the use of the doors; indeed, with its operation range of just **0.7 mm**, **Adjustable Fitclock®** unlocks the door and allows its opening.

The system is also available in two versions, **Adjustable Fitclock® (FCSAVR)** equipped with apposite adjusting element allows  $\pm 2,4$  mm coupling adjustment even after assembly. **Fitclock® (FCSAV)** applies where no post-installation adjustment is required.

When perfection is required, the **Fitclock® adjustable** system is the correct lock.

## INSTALLATION OF ADJUSTABLE FITCLOCK

Identify the perimeter position suitable for door tightening, both vertical and horizontal, place the mechanism body with the deviation from the inner edge of the cabinet, as per technical sheet, according to the type of tightening chosen.

Fix the body using four  $\varnothing 2,4 \times 25$  screws.

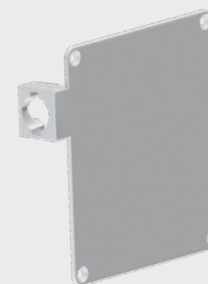
After having placed the machine on the cabinet, insert a 1.5x25 mm awl into the hole on the fitting pin, mark the fitting position, then close and fix it as follows:

- **External:** through the protrusion on the back, place it on the door and fix it with  $\varnothing 2,2 \times 20$  screws
- **Recessed:** obtain the seat using a 16 Forstner tip and fix it with  $\varnothing 3 \times 12$  screws.

IT is possible to fit also the recessed body, as per technical sheet on next page, in order to place the apposite cover and 4  $\varnothing 2,4 \times 20$ . screws

## ACCESSORIES

LEFT COVER  
**FCSAVPIX**



RIGHT COVER  
**FCSAVPIDX**

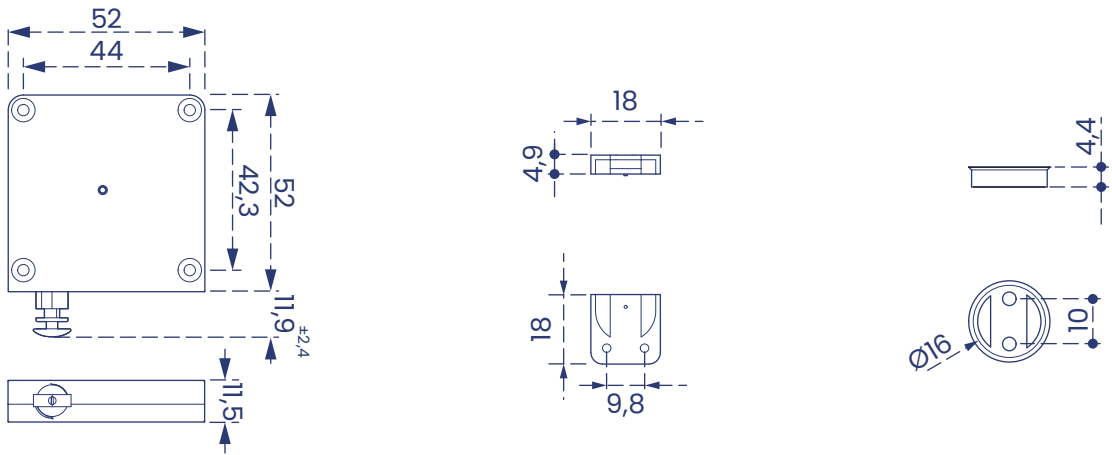


|                   |   |
|-------------------|---|
| <b>FCSAVR</b>     | Push/open tightening system for doors   |
| <b>B6FCSAVR</b>   | 6-unit box <b>FCSAV</b> + dedicated screwdriver   |
| Material          | Alloy   |
| Full weight       | 100 g   |
| Screws to be used | Countersunk flat head $\varnothing 2,4 \times 25$ / $\varnothing 3 \times 12$ / $\varnothing 2,2 \times 20$ . |

**FITLOCK**  
SYSTEM

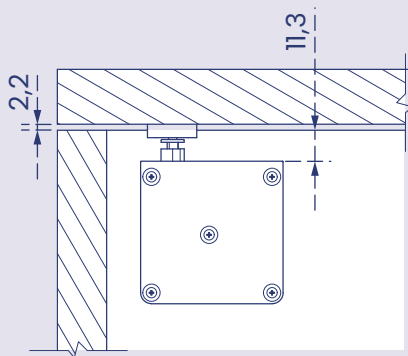
fitlock.it

# MEASUREMENTS AND OVERALL DIMENSIONS FITCLOCK

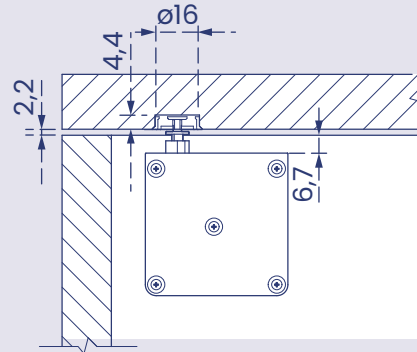


## FITCLOCK ASSEMBLY

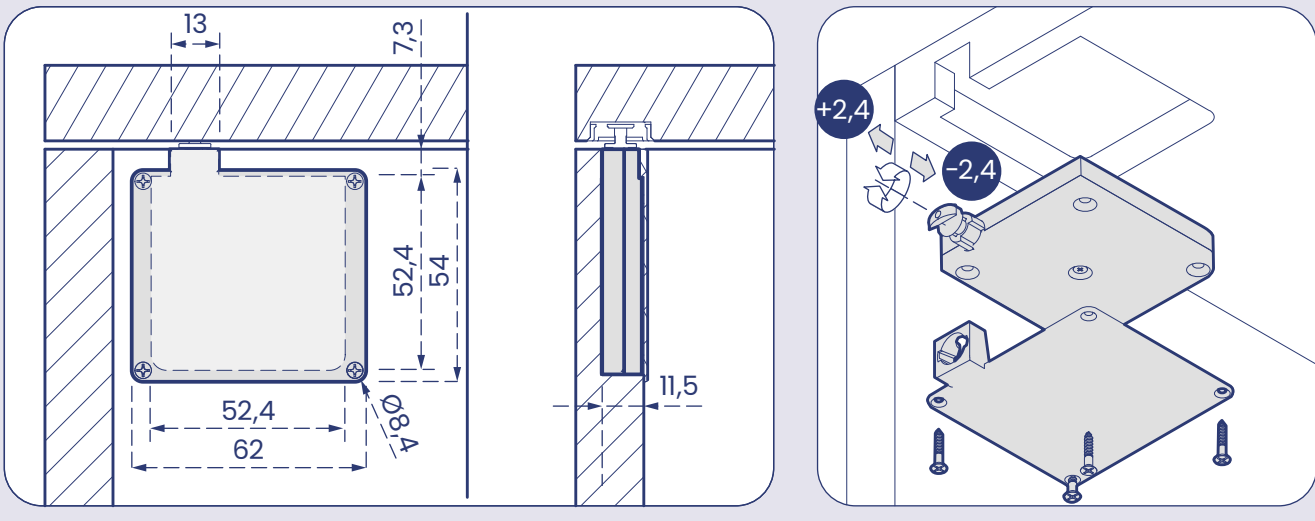
**EXTERNAL FITTING**



**RECESSED FITTING**



**RECESSED INSTALLATION**



**NOTICE:** The above information and provisions, although reflecting our best experience, shall be deemed as merely indicative and shall be confirmed by exhaustive practical applications. Therefore, before using the product, those who intend to use it shall determine whether it is suitable for its intended use and anyway shall undertake all responsibility resulting from its use.

# FITLOCK

AUTHORIZED RESELLER



FASTENERS  
& BONDING

**VIBA verbindingstechniek BV**

Bleiswijkseweg 41 - 2712 PB Zoetermeer  
Nederland  
+31 (0)79 330 67 00 - [viba@viba.nl](mailto:viba@viba.nl)

FITLOCK® · FITKITE® · FITPAN® · FITFLOOR® · FITJUMP®  
FITGRID® · FITCLOCK® · FITBLOCK®

Fitlock is a registered trademark by:

**DAUREKA**

Via L. Fibonacci 924  
56031 Bientina (Pisa), Italy  
Phone +39 0587 755931 · Fax +39 0587 756180  
[fitlock.it](http://fitlock.it) · [info@fitlock.it](mailto:info@fitlock.it)

**NOTICE:** The above information and provisions, although reflecting our best experience, shall be deemed as merely indicative and shall be confirmed by exhaustive practical applications. Therefore, before using the product, those who intend to use it shall determine whether it is suitable for its intended use and anyway shall undertake all responsibility resulting from its use.